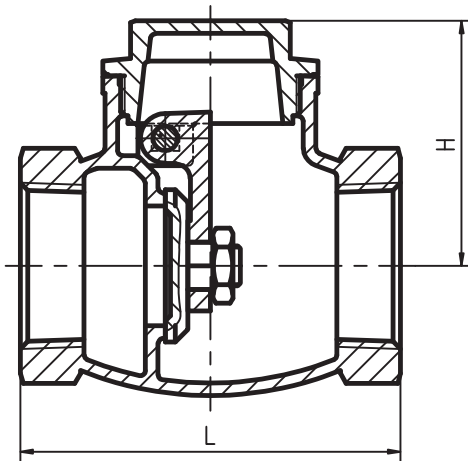


CLASS 125

Brass Swing Check Valve (Threaded)

Fig. 5401



Specification

Screwed Cap • Swing Type Disc • Integral Seat
 Threaded to BS 21 (ISO7) / ASME B1.20.1
 Size Range: 15mm(1/2")~100mm(4")

Pressure Ratings

Working Pressure	232 psi (16 bar) WOG Non-Shock 100 psi (7 bar) Saturated Steam
Testing Pressure	Shell: 348 psi (24bar) Hydrostatic Seat: 255 psi (17.6 bar) Hydrostatic 80 psi (5.5 bar) Air
Suitable Media	Water, Oil, Gas

Material List

Part Name	Material	ASTM	BS EN
Body	Brass	B124 C37700	12165 CW617N
Cap	Brass	B124 C37700	12165 CW617N
Disc	Brass	B124 C37700	12165 CW617N
Hinge Pin	Brass Rod	B124 C37700	12165 CW617N
Gasket	Non-Asbestos		

Dimension

Size	mm	15	20	25	32	40	50	65	80	100
	Inch	1/2	3/4	1	1-1/4	1-1/2	2	2-1/2	3	4
L		50	60	74	84	94	114	146	165	192
H		35	40	14	53	60	70	89	105	125