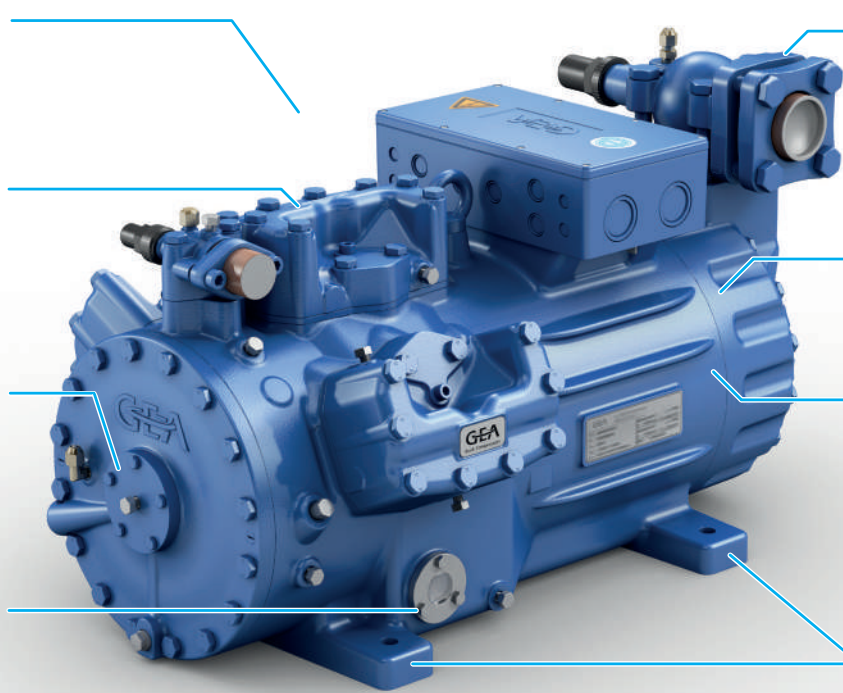


New designed housing
with optimised gas flow

Improved valve
plate system

Proven and reliable
oil pump lubrication

Standard position
sight glass



Standard position
suction valve

Highly efficient electric
motors of the latest
generation

Exchangeable motor

Standard footprints

GEA Bock HG56e

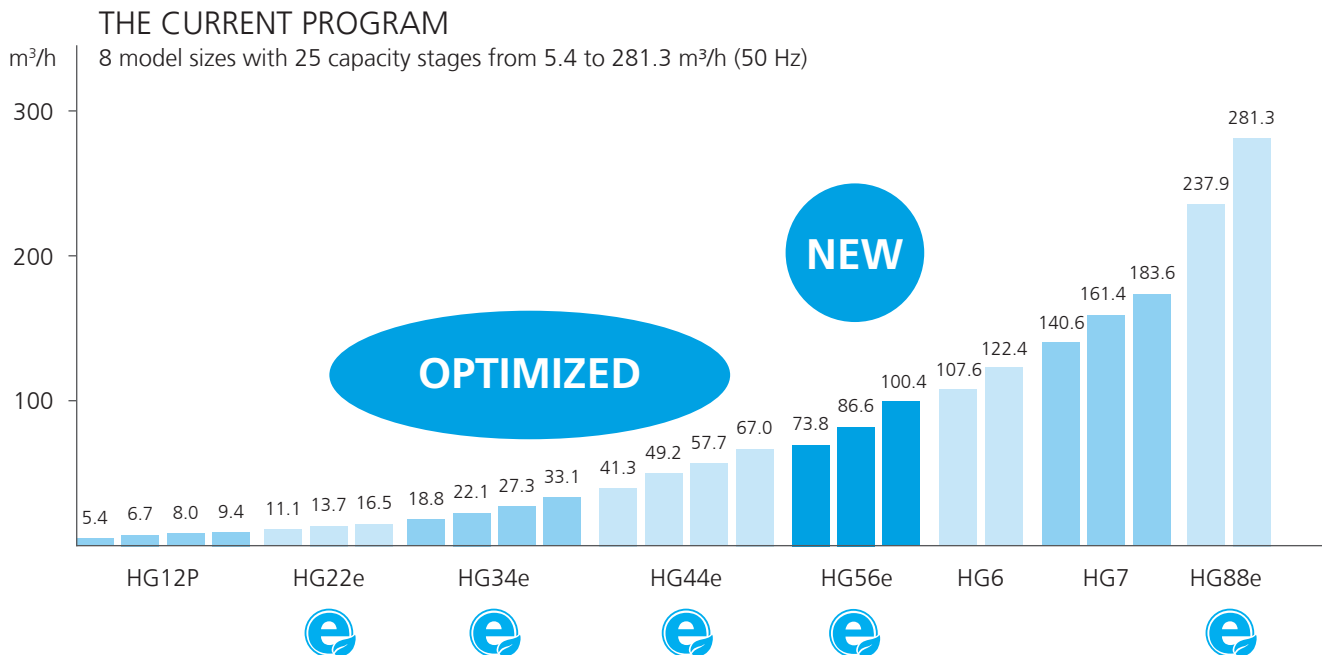
The new 6-cylinder compressor with a
high level of efficiency and quiet operation

The new 6-cylinder GEA Bock HG56e compressor

The new HG56e

With the GEA Bock HG56e series, it is a case of entirely new compressors – these combine state-of-the-art technology with the GEA design features that have been proven for decades. These replace the previous 4-cylinder series, the HG5 and also partly the HG6. Compared to their predecessors, the new 6-cylinder compressors offer an even higher level of efficiency as well as greater quietness during operation. With the HG56e series, three sizes cover the range from 73.8 m³/h to 100.4 m³/h displacement (at 50 Hz).

A modern valve plate system, the latest generation of electric motors and an improved gas flow in the compressor increase the overall level of efficiency. The proven oil pump lubrication is used in all compressors, and this enables a greater range of speed control to be achieved in the operation of the frequency converter. The emergency running properties have also been optimised - this is particularly important for operation with natural refrigerants. As usual, ease of servicing was one of the main priorities in the development of the new HG56e compressors: the stators can be changed on site without special tools.



Replacement for former types

HG56e		vs.	HG5/HG6	
Types:	Displacement at 50 Hz:		Former types:	Displacement at 50 Hz:
HG56e/850-4 (S)	73,8 m ³ /h		HG5/830-4 (S)	72,2 m ³ /h
HG56e/995-4 (S)	86,6 m ³ /h		HG5/945-4 (S)	82,2 m ³ /h
HG56e/1155-4 (S)	100,4 m ³ /h		HG6/1080-4 (S)	93,7 m ³ /h
			HG6/1240-4 (S)	107,6 m ³ /h

Price benefit

Types:

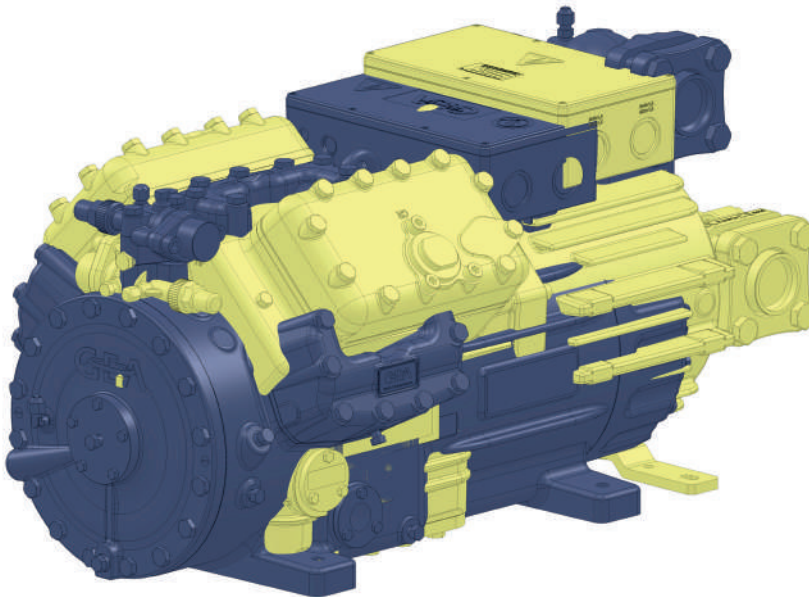
HG56e/850-4 S	vs.	HG5/830-4 S
HG56e/995-4 S	vs.	HG5/945-4 S
HG56e/1155-4 S	vs.	HG6/1080-4 S

approx. 5% Price benefit

approx. 5% Price benefit

approx. 13% Price benefit

Dimension comparison of the HG56e vs. HG5



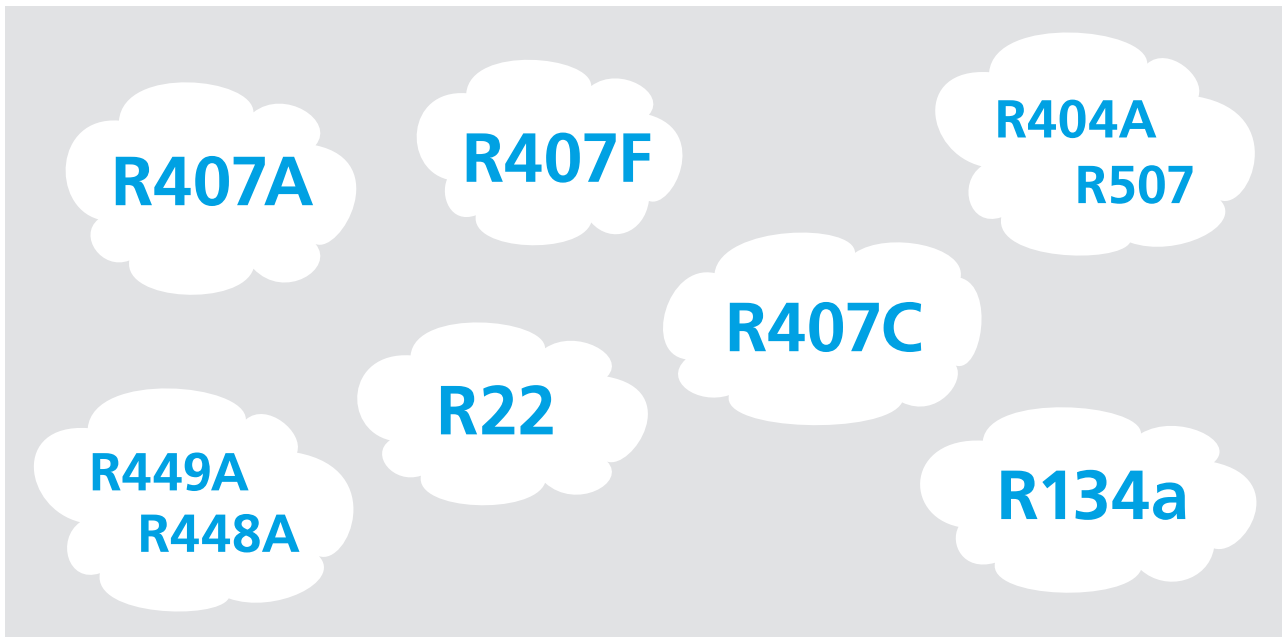
Blue: GEA Bock HG56e

Yellow: GEA Bock HG5

Length (mm)	Width (mm)	Height (mm)
-90	+5	+25

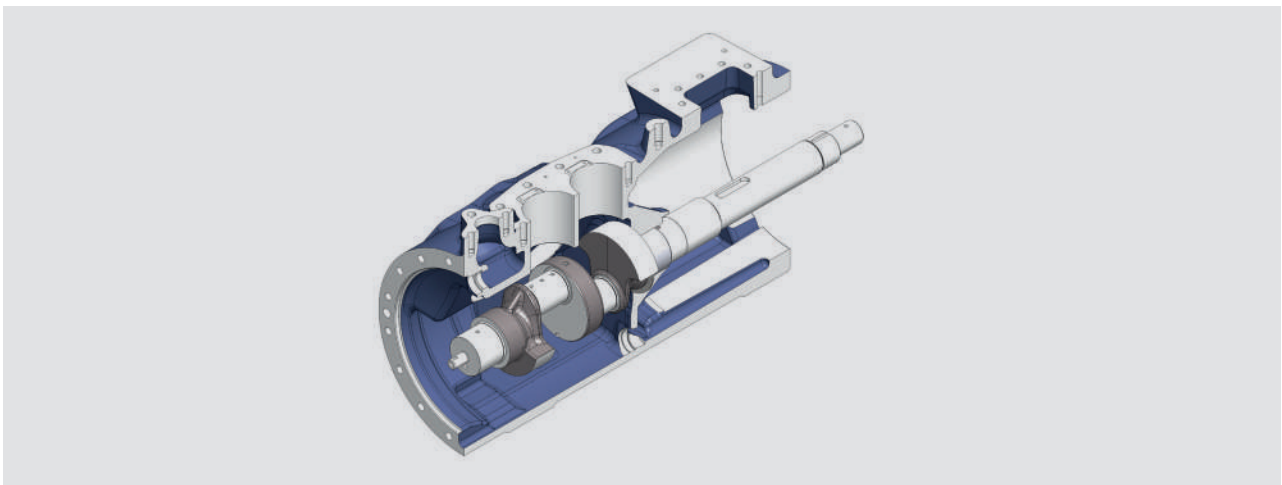
Unique features and improved technology

One compressor design for all standard refrigerants



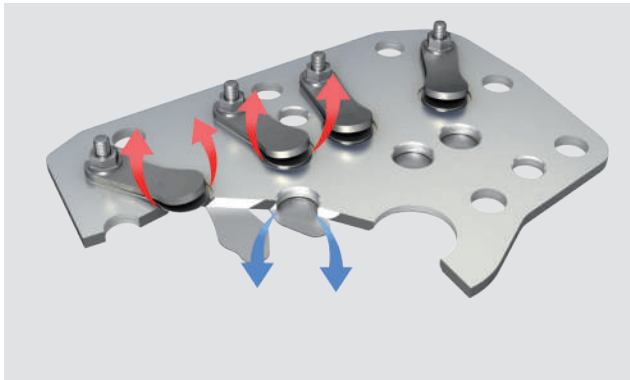
- For air-conditioning, medium and low temperature application
- Maximum allowed operating pressure: 28 bar

Optimized drive gear



- Optimized drive gear with thrust washer, improving emergency-mode operation and increase of resistance to galling in case of insufficient lubrication

Reliable valve plate design



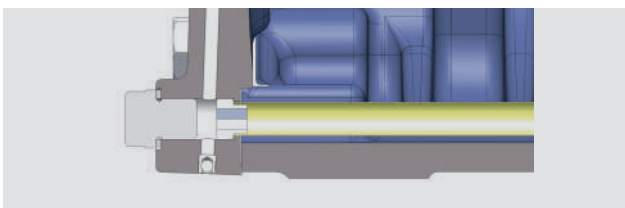
- Valves made of high quality impact-resistant spring steel
- Universally proven valve design with suction and discharge finger reed valves

Safe, reliable oil supply



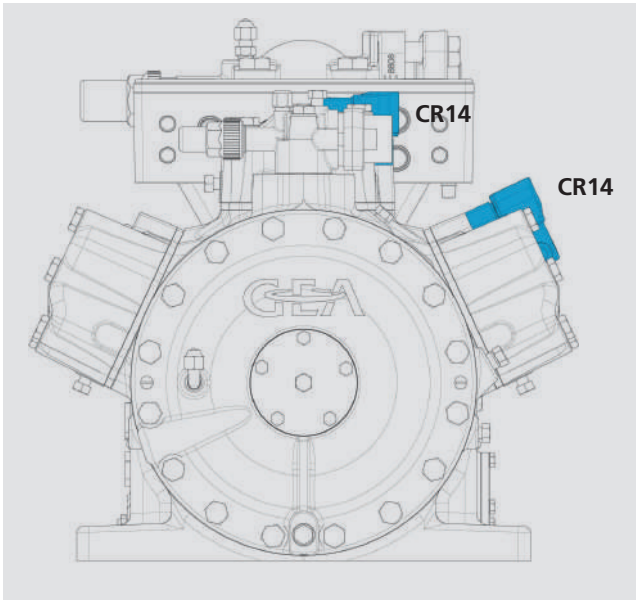
- All compressors with a conventional single circuit lubricating system
- All compressors with oil pump lubrication independent of direction of rotation
- Minimized oil carry over
- Servicefriendly oil strainer

New easy maintainable strainer



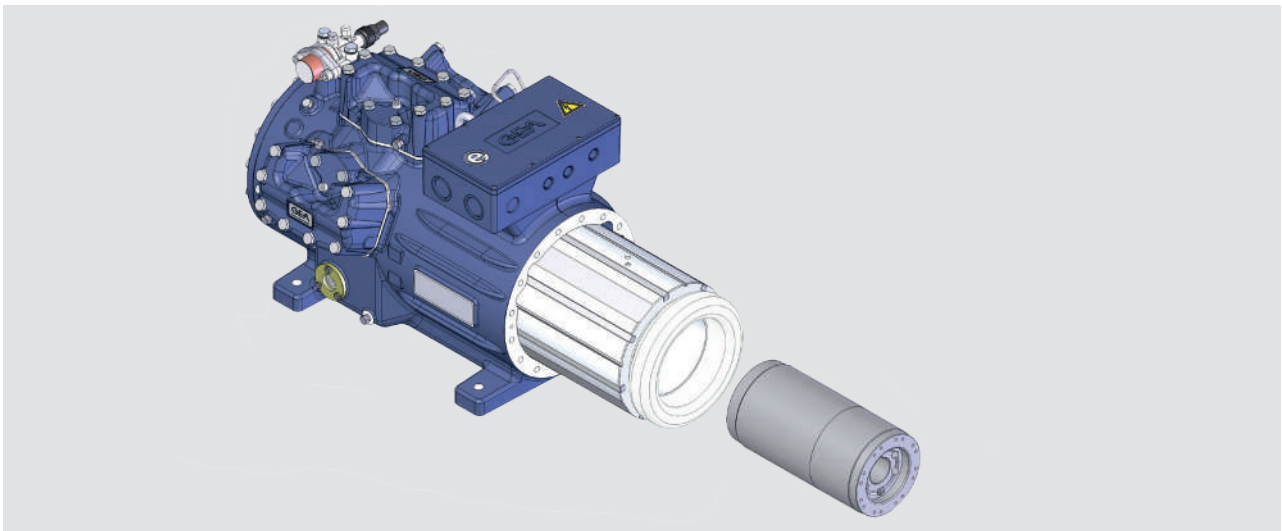
- New, easy-to-remove oil strainer for easier maintenance and increased availability

New capacity regulator CR14



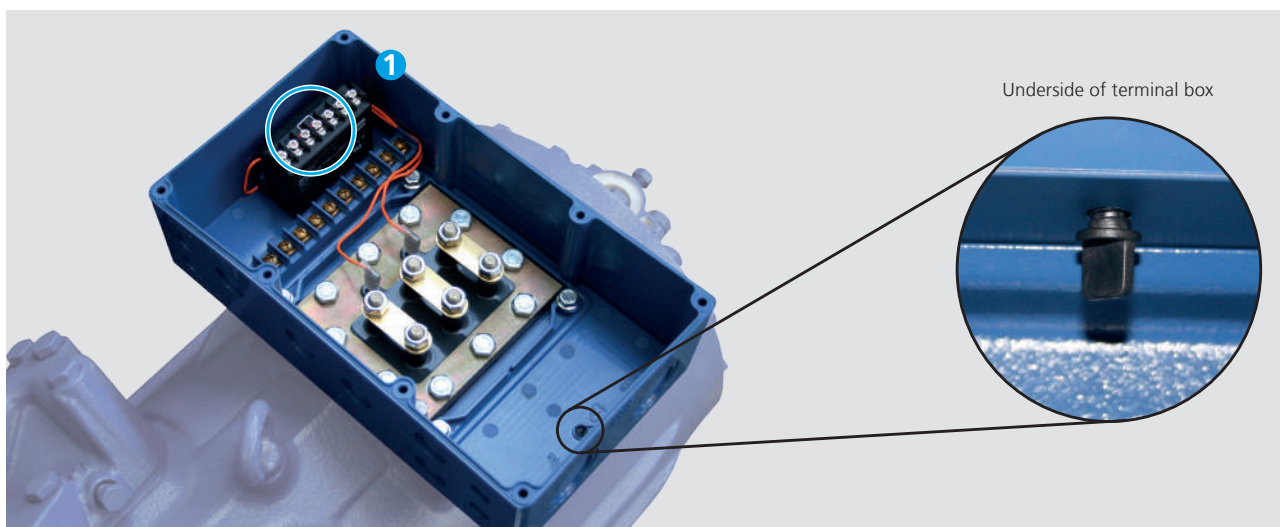
- New capacity regulator with lower height and higher operational safety due to high-pressure control

Service friendly design



- Easily to be replaced build in motor due to slide fit (not press fit)

State of the art terminal box



- Easy electrical installation due to large internal volume
- Terminal board with cable entry points in glass seal model
- Electrical motor protection INT69 G ① integrated
- High level of protection IP66
- Plug to drain under unfavorable circumstances condensed water out of the terminal box (if used, IP protection is reduced!)

Electronic Motor Protection INT69 G



Temperature safety drive for the drive motor

The INT69 G also provides the usual functions, as:

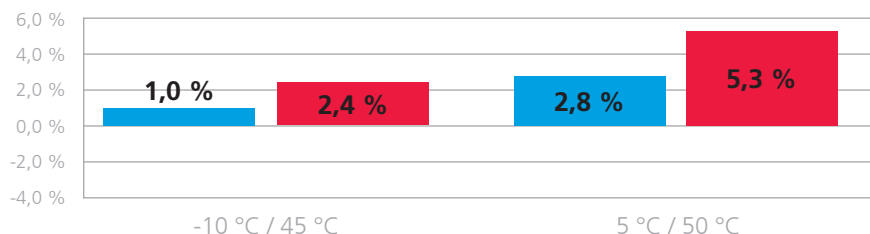
- Motor temperature monitoring
- Hot gas temperature monitoring
- A reconnection preventing device
- A reset

① PTC sensors

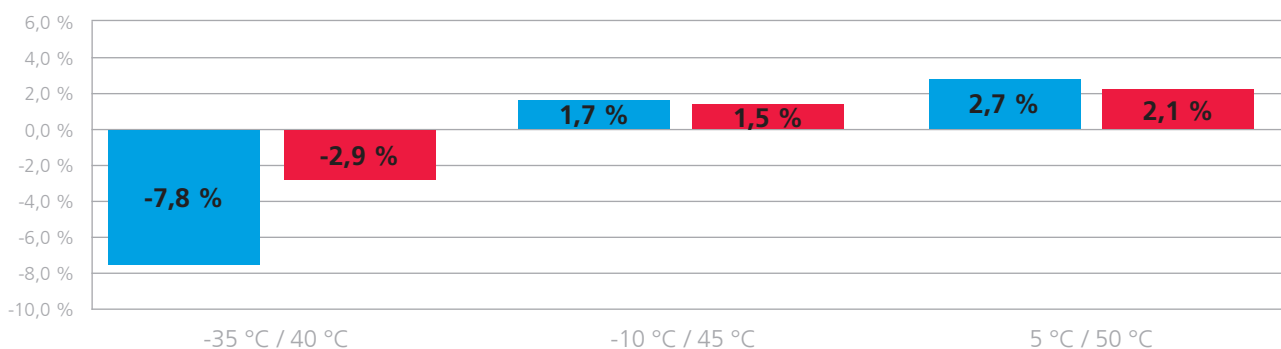
Connection of up to nine PTC sensors possible

Performance data

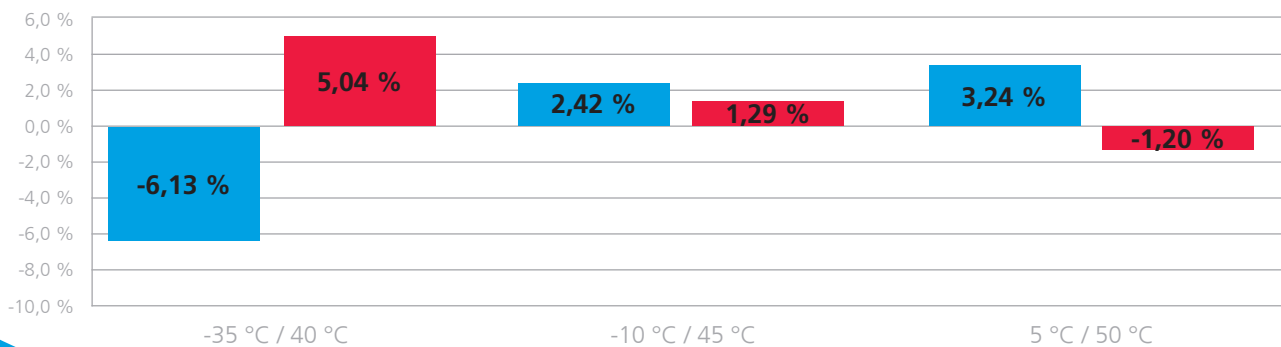
R134a Performance comparison HGX56e/995-4 vs. Competitor



R404A Performance comparison HGX56e/995-4 S vs. Competitor



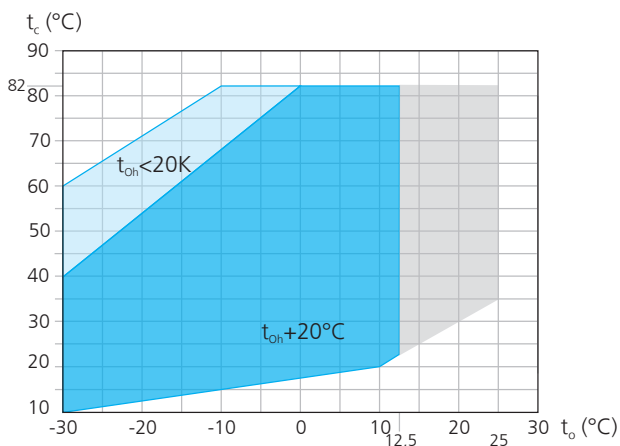
R449A Performance comparison HGX56e/995-4 S vs. Competitor



■ Cooling capacity

■ COP

R134a Operating limits



- t_o Evaporating temperature (°C)
- t_c Condensing temperature (°C)
- Δt_{oh} Suction gas superheat (K)
- t_{oh} Suction gas temperature (°C)

Max. permissible operating pressure (LP/HP)¹⁾: 19/28 bar
¹⁾ LP = low pressure, HP = high pressure

- Unlimited application range
- Supplementary cooling or reduced suction gas temperature
- Motor version -S- (more powerful motor)

R134a Notes

Operating limits

Compressor operation is possible within the limits shown on the application diagrams. Please note the coloured areas. Compressor application limits should not be chosen for design purposes or continuous operation.

Restrictions to operating limits may occur when using a Frequency converter.

Further explanation see www.vap.gea.com.

Performance data

The performance data for R134a are based on European Standard EN 12900 50 Hz power supply frequency.

This signifies: 20 °C suction gas temperature without liquid subcooling.

This leads to significant differences compared to systems with liquid subcooling and/or other suction gas temperatures.

Conversion factor for 60 Hz = 1,2

Performance data for other operating points, see GEA VAP software (vap.gea.com).

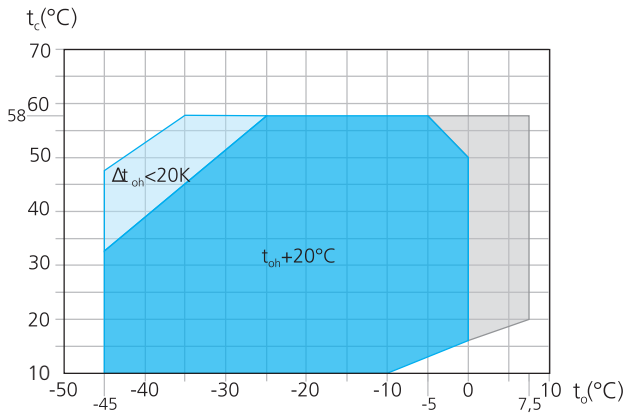
R134a

50 Hz

Type	Cond. temp. °C	Cooling capacity \dot{Q}_0 [W]										Power consumption P_e [kW]													
		Evaporating temperature °C										-20	-25	-30											
		12,5	10	7,5	5	0	-5	-10	-15																
HG56e/850-4	30	Q 71500	65200	59400	53900	43900	35300	28000	21700	16500	12300	8870	8,74	8,80	8,79	8,74	8,49	8,08	7,52	6,86	6,11	5,30	4,45		
		P 11,1	10,9	10,8	10,5	9,99	9,27	8,43	7,50	6,51	5,48	4,45													
	40	Q 62900	57400	52200	47300	38500	30900	24300	18800	14200	10400	7330													
		P 11,1	10,9	10,8	10,5	9,99	9,27	8,43	7,50	6,51	5,48	4,45													
	50	Q 54500	49600	45000	40700	33000	26400	20700	15900	11900	8470	5720													
		P 13,2	12,9	12,5	12,1	11,2	10,2	9,11	7,93	6,71	5,47	4,26													
HG56e/995-4	60	Q 46000	41800	37900	34200	27600	21900	17100	13000	9440	6520	4060													
		P 15,1	14,6	14,1	13,5	12,3	10,9	9,57	8,13	6,68	5,24	3,85													
	70	Q 37600	34100	30800	27700	22200	17500	13400	9960	7050															
		P 16,7	16,0	15,3	14,6	13,0	11,4	9,77	8,09	6,41															
	30	Q 82900	75700	68900	62500	51000	41000	32400	25100	19000	14000	10100													
		P 10,1	10,1	10,1	10,1	9,81	9,29	8,62	7,81	6,92	5,98	5,03													
HG56e/1155-4	40	Q 73100	66600	60600	54900	44700	35800	28100	21600	16200	11700	8050													
		P 12,7	12,6	12,4	12,1	11,4	10,6	9,60	8,51	7,36	6,20	5,05													
	50	Q 63200	57600	52300	47300	38300	30500	23900	18100	13300	9260	5930													
		P 15,2	14,8	14,4	13,9	12,9	11,6	10,3	8,98	7,58	6,19	4,85													
	60	Q 53300	48500	43900	39700	32000	25300	19500	14600	10400	6770	3720													
		P 17,4	16,8	16,1	15,5	14,0	12,4	10,8	9,16	7,49	5,88	4,35													
HG56e/1155-4	70	Q 43500	39400	35600	32000	25600	20000	15200	11000	7380															
		P 19,1	18,3	17,5	16,6	14,7	12,8	10,9	8,94	7,02															
	30	Q 94600	86200	78400	71100	57800	46400	36600	28400	21600	16000	11700													
		P 13,0	12,9	12,8	12,6	12,0	11,2	10,3	9,31	8,24	7,16	6,12													
	40	Q 83600	76200	69200	62600	50800	40700	32000	24700	18600	13600	9550													
		P 15,9	15,6	15,3	14,9	13,9	12,8	11,5	10,2	8,85	7,51	6,24													
HG56e/1155-4	50	Q 72600	66000	59900	54100	43800	34900	27300	20800	15500	11000	7340													
		P 18,7	18,2	17,6	17,0	15,6	14,1	12,5	10,8	9,21	7,60	6,08													
	60	Q 61500	55800	50500	45500	36700	29000	22500	17000	12300	8370	5090													
		P 21,3	20,5	19,7	18,9	17,1	15,1	13,2	11,1	9,20	7,29	5,50													
	70	Q 50400	45600	41100	37000	29500	23200	17700	13100	9130															
		P 23,5	22,5	21,4	20,3	18,1	15,7	13,3	11,0	8,69															

Relating to 20 °C suction gas temperature, without liquid subcooling
 Supplementary cooling or reduced suction gas temp.

R404A Operating limits



- t_o Evaporating temperature (°C)
- t_c Condensing temperature (°C)
- Δt_{oh} Suction gas superheat (K)
- t_{oh} Suction gas temperature (°C)

Max. permissible operating pressure (LP/HP)¹⁾: 19/28 bar

¹⁾ LP = low pressure, HP = high pressure

- Unlimited application range
- Supplementary cooling or reduced suction gas temperature
- Motor version -S- (more powerful motor)

R404A Notes

Operating limits

Compressor operation is possible within the limits shown on the application diagrams. Please note the coloured areas. Compressor application limits should not be chosen for design purposes or continuous operation.

Restrictions to operating limits may occur when using a Frequency converter.

Further explanation see www.vap.gea.com.

Performance data

The performance data for R404A are based on European Standard EN 12900 with a 50 Hz power supply frequency. This signifies: 20 °C suction gas temperature without liquid subcooling.

This leads to significant differences compared to systems with liquid subcooling and/or other suction gas temperatures.

Conversion factor for 60 Hz = 1,2

Performance data for other operating points, see GEA VAP software (vap.gea.com).

R404A

50 Hz

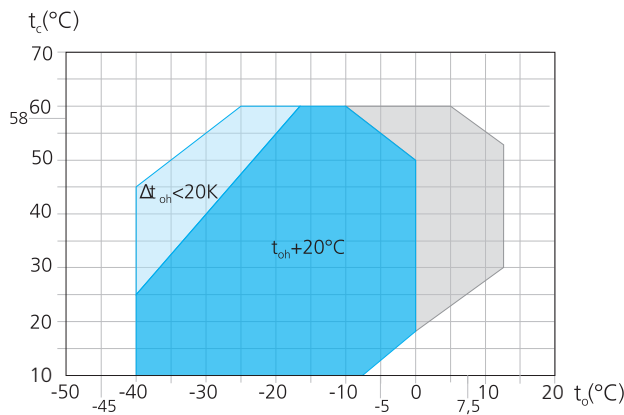
Type	Cond. temp. °C	Cooling capacity \dot{Q}_0 [W]										Power consumption P_e [kW]			
		Evaporating temperature °C													
		7,5	5	0	-5	-10	-15	-20	-25	-30	-35	-40	-45		
HG56e/850-4 HG56e/850-4 S	30	Q	93700	86100	71800	59800	49300	40200	32400	25800	20100	15300	11200	7710	
		P	13,7	13,9	14,1	13,9	13,4	12,6	11,7	10,6	9,38	8,08	6,77	5,49	
	40	Q	80500	73800	61100	50600	41600	33800	27200	21400	16600	12400	8720	5520	
		P	17,7	17,6	17,1	16,3	15,3	14,0	12,7	11,2	9,76	8,27	6,83	5,50	
	50	Q	67000	61200	50100	41300	33800	27300	21800	17000	13000	9410	6280		
		P	21,1	20,6	19,6	18,3	16,8	15,1	13,4	11,7	10,0	8,48	7,00		
HG56e/995-4 HG56e/995-4 S	30	Q	111000	102000	85000	70800	58300	47400	38000	29800	22900	17100	12200	8120	
		P	18,6	18,3	17,6	16,7	15,8	14,6	13,4	12,1	10,7	9,21	7,61	5,94	
	40	Q	94300	86600	72100	59800	49000	39600	31500	24500	18500	13400	9110	5480	
		P	22,0	21,5	20,4	19,2	17,8	16,3	14,7	12,9	11,1	9,23	7,23	5,15	
	50	Q	78000	71400	59000	48600	39500	31700	24900	19100	14100	9800	6130		
		P	25,3	24,6	23,1	21,4	19,6	17,6	15,5	13,4	11,1	8,75	6,30		
HG56e/1155-4 HG56e/1155-4 S	30	Q	127000	117000	97500	81100	66800	54500	43900	34800	27100	20600	15000	10300	
		P	19,4	19,7	20,0	19,7	19,0	17,9	16,6	15,0	13,2	11,4	9,59	7,80	
	40	Q	109000	99900	83000	68800	56400	45800	36700	28900	22200	16600	11700	7280	
		P	25,1	24,9	24,4	23,2	21,7	19,9	18,0	15,9	13,8	11,7	9,68	7,80	
	50	Q	90600	82800	68200	56200	45800	36900	29300	22900	17300	12500	8270		
		P	29,9	29,2	27,9	26,0	23,8	21,5	19,1	16,6	14,2	12,0	9,91		

Relating to 20 °C suction gas temperature without liquid subcooling

■ Supplementary cooling or reduced suction gas temp.

■ Motor version -S- (more powerful motor)

R449A Operating limits



t_o Evaporating temperature (°C)
 t_c Condensing temperature (°C)
 Δt_{oh} Suction gas superheat (K)
 t_{oh} Suction gas temperature (°C)

Max. permissible operating pressure (LP/HP)¹⁾: 19/28 bar

¹⁾ LP = low pressure, HP = high pressure

- Unlimited application range
- Supplementary cooling or reduced suction gas temperature
- Motor version -S- (more powerful motor)

R449A Notes

Operating limits

Compressor operation is possible within the limits shown on the application diagrams. Please note the coloured areas. Compressor application limits should not be chosen for design purposes or continuous operation.

Restrictions to operating limits may occur when using a Frequency converter.

Further explanation see www.vap.gea.com.

Performance data

The performance data for R449A are based on European Standard EN 12900 with a 50 Hz power supply frequency. This signifies: 20 °C suction gas temperature without liquid subcooling.

This leads to significant differences compared to systems with liquid subcooling and/or other suction gas temperatures.

Conversion factor for 60 Hz = 1,2

Performance data for other operating points, see GEA VAP software (vap.gea.com).

R449A

50 Hz

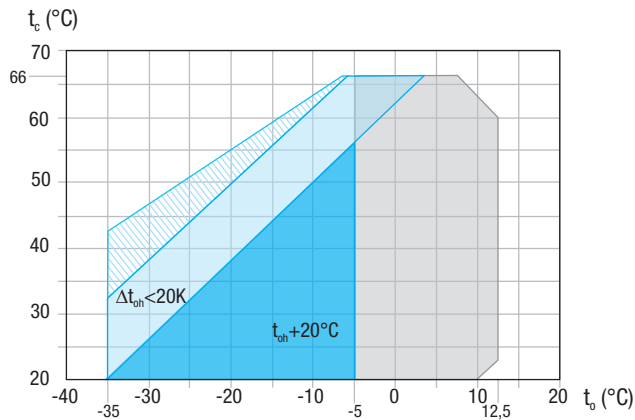
Type	Cond. temp. °C	Cooling capacity \dot{Q}_0 [W]												Power consumption P_e [kW]					
		Evaporating temperature °C																	
		12,5	10	7,5	5	0	-5	-10	-15	-20	-25	-30	-35	-40					
HG56e/850-4 HG56e/850-4 S	30	Q	110000	101000	91600	83500	68600	56100	45300	36200	28500	22000	16700	12300	8550				
		P	12,6	12,8	13,0	13,0	12,8	12,4	11,7	10,8	9,84	8,69	7,47	6,23	5,03				
	40	Q	96000	87800	80100	72900	59600	48600	39200	31100	24400	18700	13900	9880	6450				
		P	16,7	16,6	16,4	16,2	15,5	14,6	13,4	12,1	10,7	9,26	7,75	6,27	4,86				
	50	Q	82500	75200	68400	62100	50400	40900	32700	25800	19900	15000	10800	7100					
		P	20,5	20,1	19,6	19,0	17,9	16,4	14,8	13,0	11,2	9,38	7,56	5,80					
HG56e/995-4 HG56e/995-4 S	30	Q	129000	118000	108000	98000	80700	66100	53500	42800	33800	26200	19800	14400	9740				
		P	15,6	15,7	15,8	15,8	15,5	14,9	14,1	13,0	11,8	10,4	9,06	7,58	6,10				
	40	Q	113000	103000	93700	85400	70100	57300	46300	36900	29000	22200	16400	11400	6860				
		P	20,2	20,0	19,8	19,4	18,6	17,4	16,1	14,5	12,9	11,1	9,31	7,48	5,68				
	50	Q	96100	87800	80000	72800	59400	48400	38900	30800	23900	17900	12600	7900					
		P	24,5	24,0	23,5	22,8	21,4	19,7	17,8	15,7	13,6	11,4	9,19	6,99					
HG56e/1155-4 HG56e/1155-4 S	30	Q	149000	136000	125000	114000	93100	76000	61400	48900	38500	29700	22400	16400	11500				
		P	17,9	18,2	18,4	18,5	18,3	17,6	16,6	15,4	13,9	12,3	10,5	8,85	7,15				
	40	Q	131000	120000	109000	98800	80900	65800	52900	42000	32800	25100	18700	13300	8590				
		P	23,7	23,5	23,3	23,0	22,1	20,7	19,1	17,2	15,2	13,1	11,0	8,90	6,91				
	50	Q	112000	102000	92800	84200	68400	55300	44100	34700	26700	20000	14400	9420					
		P	29,0	28,5	27,8	27,0	25,4	23,3	21,0	18,5	15,9	13,2	10,7	8,23					

Relating to 20°C suction gas temperature without liquid subcooling

● Supplementary cooling or reduced suction gas temp.

● Motor version -S- (more powerful motor)

R22 Operating limits



- t_o Evaporating temperature (°C)
- t_c Condensing temperature (°C)
- Δt_{oh} Suction gas superheat (K)
- t_{oh} Suction gas temperature (°C)

Max. permissible operating pressure (LP/HP)¹⁾: 19/28 bar

¹⁾ LP = low pressure, HP = high pressure

- Unlimited application range
- Supplementary cooling or reduced suction gas temperature
- Supplementary cooling and reduced suction gas temperature
- Motor version -S- (more powerful motor)

R22 Notes

Operating limits

Compressor operation is possible within the limits shown on the application diagrams. Please note the coloured areas. Compressor application limits should not be chosen for design purposes or continuous operation.

Restrictions to operating limits may occur when using a Frequency converter.

Further explanation see www.vap.gea.com.

Performance data

The performance data for R22 are based on European Standard EN 12900 with a 50 Hz power supply frequency. This signifies: 20 °C suction gas temperature without liquid subcooling.

This results in significant differences compared to specifications with liquid undercooling and/or suction-gas temperatures.

Conversion factor for 60 Hz = 1,2

Performance data for other operating points, see GEA VAP software (vap.gea.com).

R22

50 Hz

Type	Cond. temp. °C	Cooling capacity \dot{Q}_0 [W]								Power consumption P_e [kW]				
		Evaporating temperature °C												
		12,5	10	7,5	5	0	-5	-10	-15	-20	-25	-30	-35	
HG56e/850-4 HG56e/850-4 S	30	Q	104000	95400	87600	80200	66900	55000	45000	36400	29000	22600	17100	12300
		P	12,7	12,9	13,0	13,0	12,9	12,5	11,9	11,1	10,2	9,19	8,10	6,97
	40	Q	93700	86000	78800	72100	59900	49000	39900	32000	25200	19400	14200	9680
		P	16,3	16,2	16,1	15,9	15,3	14,6	13,6	12,4	11,2	9,88	8,51	7,13
	50	Q	83700	76600	70100	64000	52900	43000	34800	27600	21500	16100		
		P	19,6	19,4	19,0	18,6	17,6	16,5	15,1	13,6	12,0	10,3		
HG56e/995-4 HG56e/995-4 S	30	Q	122000	112000	103000	93700	78000	64700	52800	42600	33800	26200	19700	14100
		P	14,9	15,1	15,2	15,3	15,1	14,5	13,8	12,9	11,8	10,6	9,42	8,14
	40	Q	110000	101000	91900	84000	69700	57400	46600	37300	29200	22300	16300	11000
		P	19,1	19,1	18,9	18,7	18,0	16,9	15,7	14,4	13,0	11,4	9,90	8,33
	50	Q	97500	89300	81600	74400	61300	50200	40400	32000	24700	18400		
		P	23,1	22,8	22,4	21,9	20,7	19,0	17,4	15,7	13,9	12,0		
HG56e/1155-4 HG56e/1155-4 S	30	Q	141000	130000	119000	109000	90700	74700	61000	49300	39200	30500	23100	16600
		P	18,0	18,2	18,4	18,5	18,3	17,7	16,9	15,8	14,4	13,0	11,4	9,89
	40	Q	128000	117000	107000	97800	81200	66500	54000	43300	34100	26100	19200	13100
		P	23,1	23,0	22,9	22,6	21,8	20,7	19,3	17,7	15,9	14,0	12,0	10,1
	50	Q	114000	105000	95100	86800	71700	58300	47000	37300	28900	21700		
		P	27,9	27,5	27,0	26,4	24,9	23,4	21,4	19,3	17,0	14,7		

Relating to 20°C suction gas temperature without liquid subcooling

- Supplementary cooling or reduced suction gas temp.
- Supplementary cooling and red. suction gas temp.
- Motor version -S- (more powerful motor)

Technical data

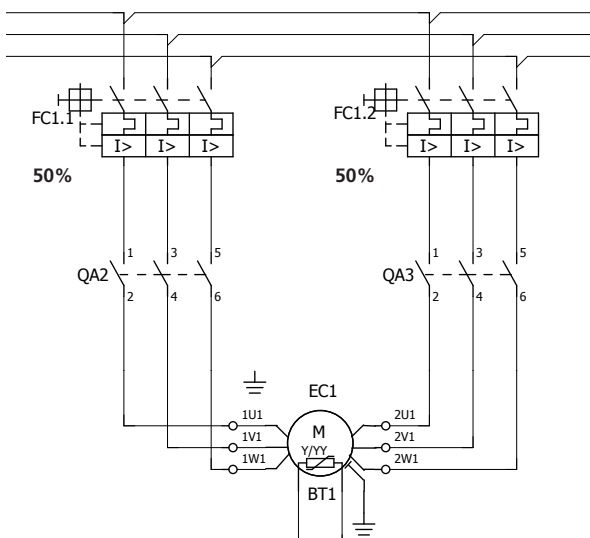
Technical Data

HG	Number of cylinders	Displacement 50 / 60 Hz (1,450 / 1,740 rpm)	Voltage ¹⁾	Electrical data			Weight kg	Connections ⁵⁾		Oil charge Ltr.
				Max. working current ²⁾ A (Δ / Y)	Max. power consumption ²⁾ kW	Starting current (rotor locked) A (Δ / Y)		Discharge line DV mm inch	Suction line SV mm inch	
Typ		m ³ /h								
				PW 1+2*		PW1 / PW 1+2*				
HG56e/850-4	6	73,80 / 88,60	4)	32,6	19,7	101 / 174	194,3	35 1 3/8	54 2 1/8	2,5
HG56e/850-4 S	6	73,80 / 88,60	4)	39,4	23,5	125 / 209	211,1	35 1 3/8	54 2 1/8	2,5
HG56e/995-4	6	86,60 / 103,90	4)	38,9	23,2	125 / 209	194,3	35 1 3/8	54 2 1/8	2,5
HG56e/995-4 S	6	86,60 / 103,90	4)	46,4	27,7	149 / 246	211,3	35 1 3/8	54 2 1/8	2,5
HG56e/1155-4	6	100,40 / 120,50	4)	46,9	28,0	149 / 246	211,8	35 1 3/8	54 2 1/8	2,5
HG56e/1155-4 S	6	100,40 / 120,50	4)	58,3	33,3	196 / 335	220,6	35 1 3/8	54 2 1/8	2,5

4) 380-420 V Y/Y - 3 - 50 Hz PW
440-480 V Y/Y - 3 - 60 Hz PW

* PW = Part Winding, Motors for part winding start 1 = 1. part winding 2 = 2. part winding

Winding section



All the models of the GEA Bock HG56e series have a **winding section of 50 % / 50 %**.

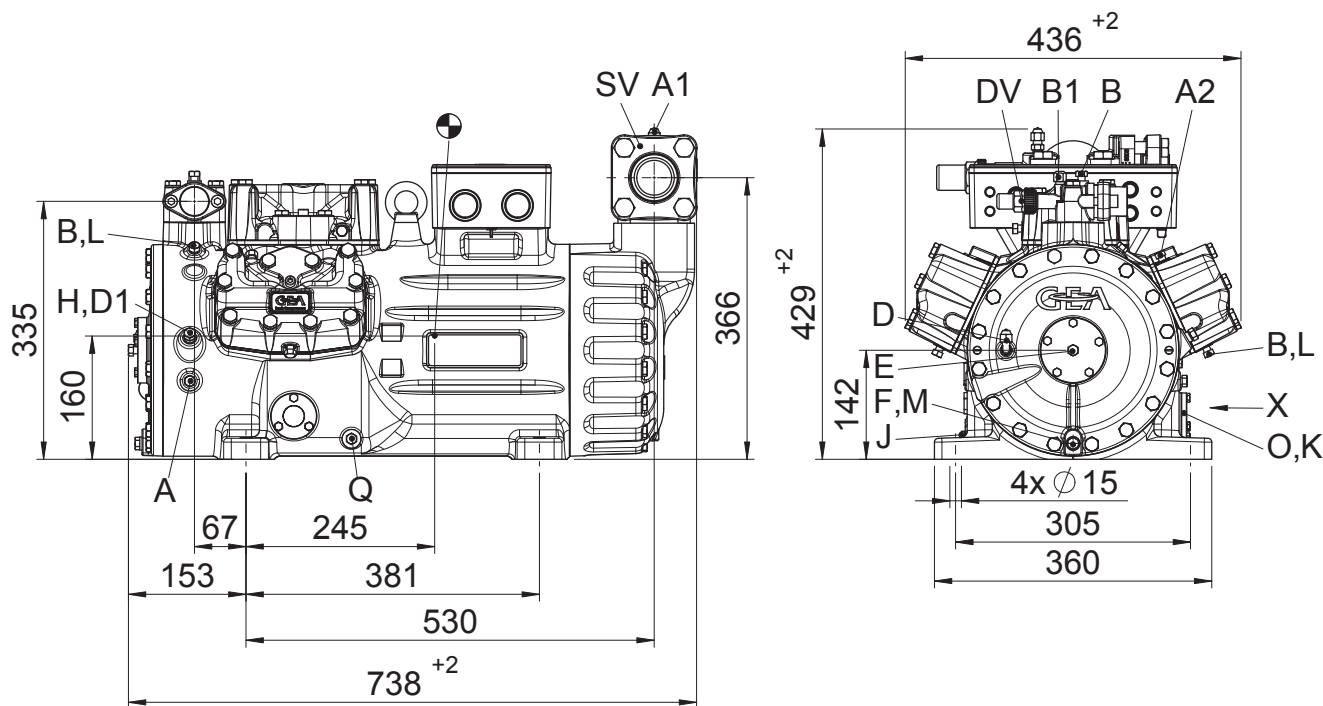
The motor winding is divided into two parts:
partial winding 1 = 50 % and partial winding 2 = 50 %
This winding division reduces the start-up current required for a partial winding start to approx. 50 % of that for a direct start.

HG56e

HG56e/850-4
HG56e/850-4 S

HG56e/995-4
HG56e/995-4 S

HG56e/1155-4
HG56e/1155-4 S



Connections

HG56e

SV	Suction line	Please refer to technical data on page 13
DV	Discharge line	
A	Connection suction side, not lockable	1/8" NPTF
A1	Connection suction side, lockable	7/16" UNF
B	Connection suction side, not lockable	1/8" NPTF
B1	Connection suction side, lockable	7/16" UNF
C	Connection oil pressure safety switch OIL	7/16" UNF
D	Connection oil pressure safety switch LP	7/16" UNF
D1	Connection oil return from oil separator	1/4" NPTF
E	Connection oil pressure gauge	7/16" UNF
F	Oil drain	M22 x 1,5
H	Oil charge plug	M22 x 1,5
J	Connection oil sump heater	M22 x 1,5
K	Sight glass	4 hole M6
L	Connection thermal protection thermostat	1/8" NPTF
N	Connection capacity controller	M45 x 1,5
O	Connection oil level regulator	¹⁾
P	Connection oil pressure differential sensor	M20 x 1,5
Q	Connection oil temperature sensor	1/8" NPTF

¹⁾ Dimensions see page 14

Scope of supply & Accessories		HG56e
Semi-hermetic six cylinder reciprocating compressor with drive motor for part winding start (50/50) 380-420 V YYY - 3 - 50 Hz 440-480 V YYY - 3 - 60 Hz		●
Special voltage and/or frequency		○ ³⁾
Winding protection with PTC resistor sensors with electronic triggering unit INT69 G		●
Oil pump		●
Oil charge: HG: FUCHS Reniso SP46, HGX: FUCHS Reniso Triton SE55		●
Inert gas charge		●
4 anti-vibration pads enclosed		●
Internal safety valve		●
Suction and discharge line valve		●
Sight glass (one)		●
Thermal protection thermostat (ptc)		○ ²⁾
Oil sump heater	220-240 V - 1 - 50/60 Hz, 160 W	○ ²⁾
Oil differential pressure sensor DELTA-P II 220-240 V - 1 - 50/60 Hz		○ ¹⁾
Oil pressure safety switch	230 V - 1 - 50/60 Hz, IP20 MP54	○ ¹⁾
Capacity regulator	1–2 capacity regulators = 66/33 % residual capacity	○ ²⁾
Prepared for capacity regulator	1 cylinder cover	○ ²⁾
	2 cylinder cover	○ ²⁾
Oil temperature sensor		○ ²⁾
Start unloader by means of a ESS (Electronic Soft Start) 400 V - 3 - 50/60 Hz, IP20, (connection clamps IP00) for installation in switch cabinet		○ ¹⁾
Connection piece suction and discharge valve in welded construction		○ ³⁾
Rear bearing flange prepared for oil differential pressure sensor		○ ²⁾
Additional fan 230 V - 1 - 50 Hz, 97 W, IP44, 230- V - 1 - 60 Hz, 128 W, Voltage range ± 10%		○ ¹⁾
INT69 G diagnose 115 V / 230 V Ac, 50/60 Hz, IP00 (INT69 G not applicable)		○ ²⁾
DP-modbus Gateway 115 V / 230 V Ac, 50/60 Hz, IP00 incl. adapter cable		○ ¹⁾
modbus-LAN Gateway 230 V Ac, 50/60 Hz, IP00		○ ¹⁾
USB converter for INT69 G diagnose and Int69 GTML diagnose		○ ¹⁾
Possibility to connect to oil level controllers brand Traxoil		● ⁴⁾

● Scope of Supply (Standard)

○ Accessories (Available)

¹⁾ Enclosure

²⁾ Mounted

³⁾ On request

⁴⁾ Only possible with additional adapter



We live our values.

Excellence • Passion • Integrity • Responsibility • GEA-versity

GEA Group is a global engineering company with multi-billion euro sales and operations in more than 50 countries. Founded in 1881, the company is one of the largest providers of innovative equipment and process technology. GEA Group is listed in the STOXX® Europe 600 Index.

GEA Germany

GEA Bock GmbH

Benzstraße 7

72636 Frickenhausen, Germany

Tel +49 (0)7022 9454-0

Fax +49 (0)7022 9454-137

info@gea.com

gea.com