

Distributed by



www.anbisolutions.com

CONSERVE WATER, CONSERVE LIFE



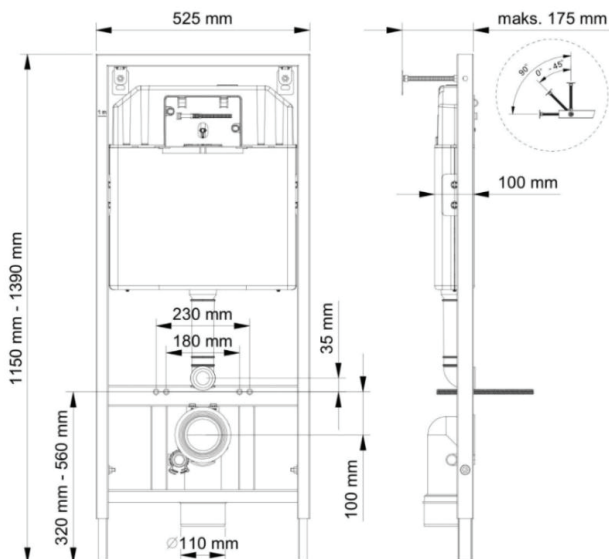
CONCEALED CISTERNS
PRODUCT CATALOG



FLUSH 95

Designed in Dubai
Made in Turkey
Low Cost
10 Year Warranty

Manufactured in Pinar Caddesi No: 72 Pinarbasi Izmir where quality control, quality assurance and testing takes place before being shipped off to its final destination.



SPECIFICATION

Complies with the specifications of EN 14055 CL I-7-NL I VR II.

Features a discharge volume of 3/6 L, making it ideal for dry wall and brick wall installations.

Completely preassembled in the factory, ensuring ease of installation.

Boasts a maximum water tank capacity of 10 L, with a tank depth of 80 mm (overall thickness including frame 100 mm).

Equipped with a mechanical dual flush system for efficient water use.

Water supply connection located at the top right, with a G 1/2 male connection.

Meets acoustic class 1st Class EN 14124 for the inlet valve.

Capable of handling water flow pressure of 0.3 MPa (3 bar) and a maximum volume of 9.0 dB, with a flow rate of 9 L/min.

Constructed with an impact copolymer special PP body, providing high resistance to impact and thermal shock.

Features a powder-coated tubing profile thick metal frame (30 mm x 40 mm).

Comes with a 10-year warranty for added peace of mind.

WC hanging rods can bear up to 400 KGs, with adjustable distances of 18 or 23 cm between toilet bowls.

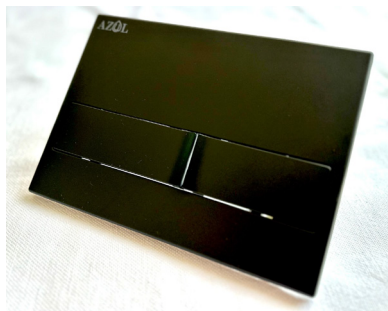
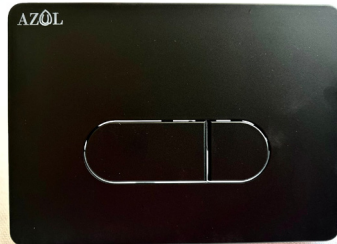
PLATES



Colours and finish can be customised upon order placement,
customer will have to provide the exact RAL number.



PLATES

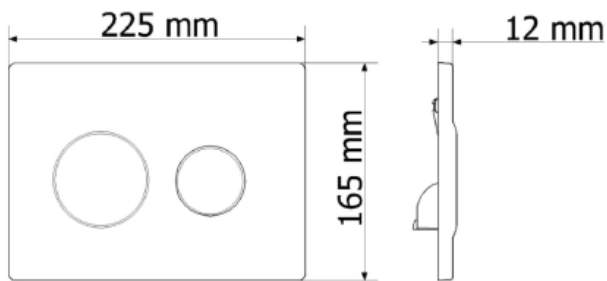


Olympos Plate Datasheet



SPECIFICATION

Dual Flush
Chrome OR Matt Finish
Mechanical Buttons

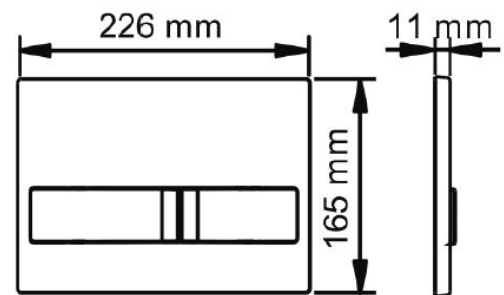


Karina Plate Datasheet

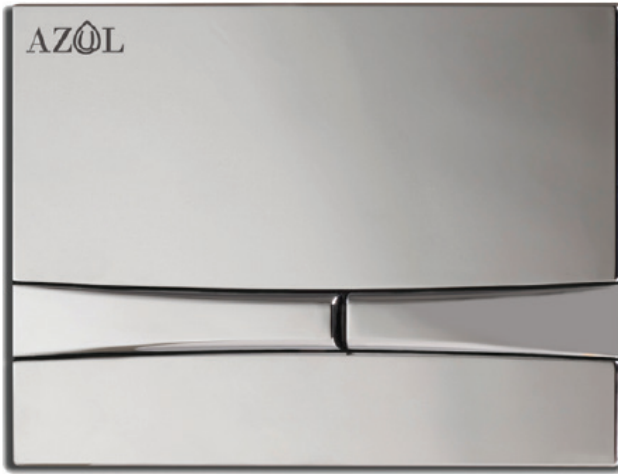


SPECIFICATION

Dual Flush
Chrome OR Matt Finish
Mechanical Buttons

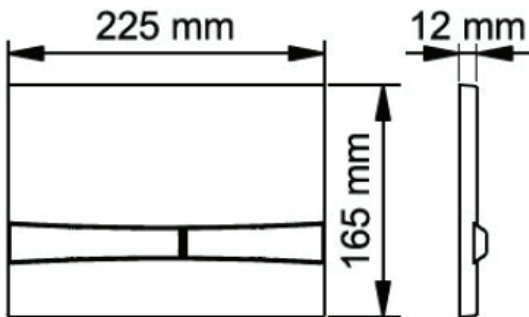


Mia Plate Datasheet

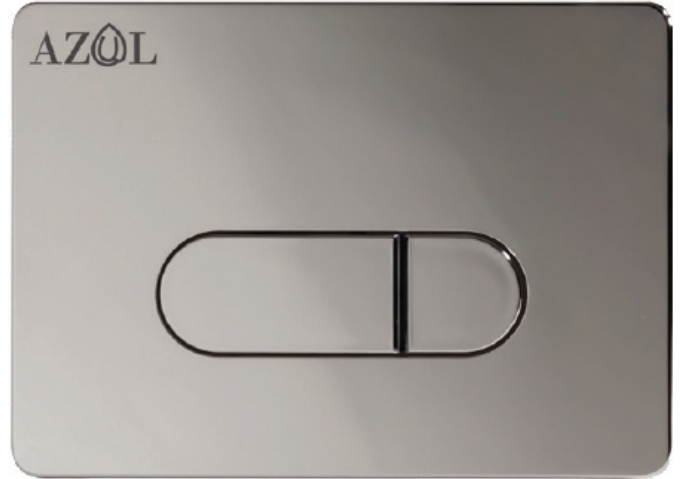


SPECIFICATION

Dual Flush
Chrome OR Matt Finish
Mechanical Buttons

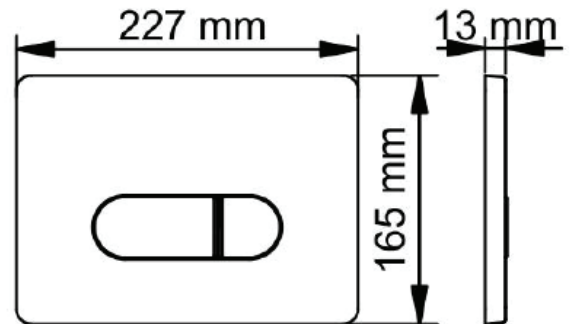


Siena Plate Datasheet



SPECIFICATION

Dual Flush
Chrome OR Matt Finish
Mechanical Buttons

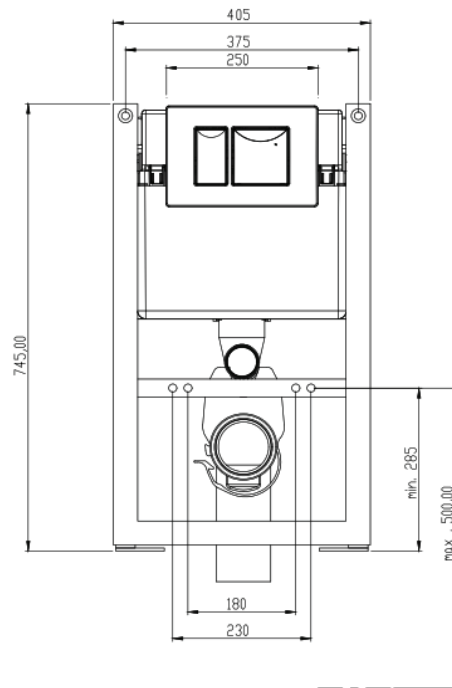


SAN 140



SPECIFICATION

Dual Flush Concealed Tank
3/6 Litre Dual Flush
Easy Installation
10 Year Warranty
Silent Fitting
Operating Pressure is between 1 – 7 bar
Weight limit 400 KG
Galvanised Steel Tubular Frame
Made of Polyethylene, 3 mm thickness





WC 1010



SPECIFICATION

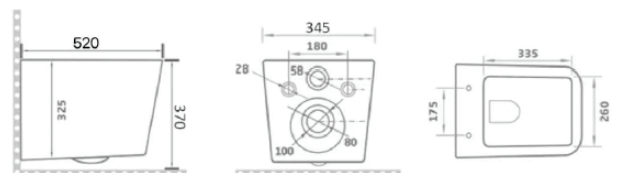
The body material is made from ceramic. Comes with a 10-year warranty for added peace of mind.

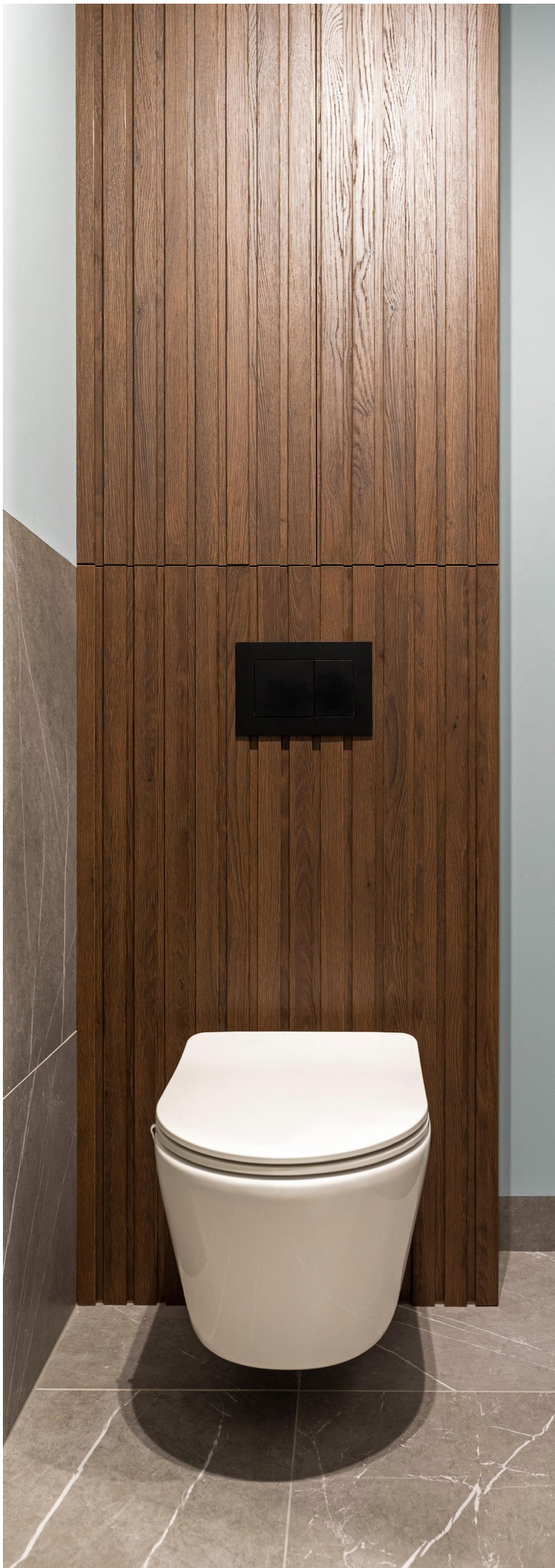
Completely preassembled in the factory, ensuring ease of installation.

Rimless Bowl Design, the absence of an inner rim makes the bowl much easier to clean and maintain.

The cover material is made of UF, has a 5-year warranty.

CE Certified.





WC 1020



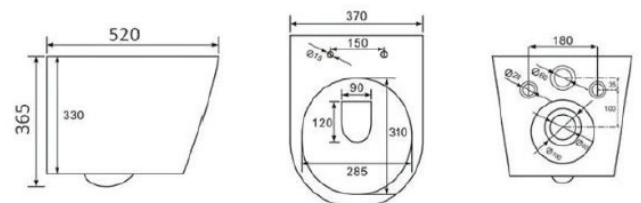
SPECIFICATION

The body material is made from ceramic. Comes with a 10-year warranty for added peace of mind.

Completely preassembled in the factory, ensuring ease of installation.

Rimless Bowl Design, the absence of an inner rim makes the bowl much easier to clean and maintain.

The cover material is made of UF, has a 5-year warranty. CE Certified.





WC 1030



SPECIFICATION

The body material is made from ceramic. Comes with a 10-year warranty for added peace of mind.

Completely preassembled in the factory, ensuring ease of installation.

Rimless Bowl Design, the absence of an inner rim makes the bowl much easier to clean and maintain.

The cover material is made of UF, has a 5-year warranty. CE Certified.

