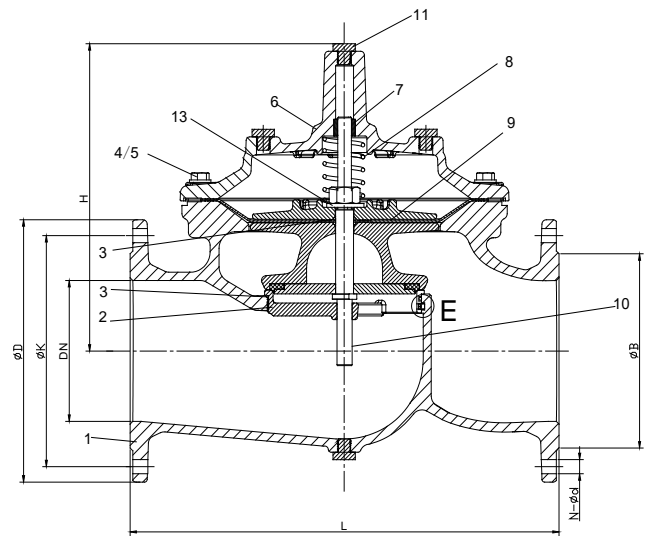
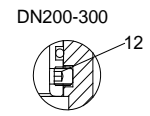


Construction

- 1 Body : Ductile iron, GJS 500-7
- 2 Seat : Stainless Steel, AISI 304/316
- 3 O-ring : Rubber, NBR
- 4 Bolt : Stainless Steel, A2/A4
- 5 Washer : Stainless Steel, A2/A4
- 6 Bonnet : Ductile iron, GJS 500-7
- 7 Bush : Bronze, C61900
- 8 Spring : Stainless Steel, AISI 304/316
- 9 Diaphragm : Nylon Reinforced Rubber, EPDM + Nylon Fabric
- 10 Stem : Stainless Steel, AISI 304/316
- 11 Plug : Stainless Steel, AISI 304/316
- 12 Screw : Stainless Steel, A2/A4
- 13 Washer : Stainless Steel, A2/A4



E



Note: Standard Material is AISI 304. Consult factory for AISI 316 Material.

Dimensions in mm

Model	DN	L	ØD	ØK	H	N-Ød	ØB
HVPRVF 00	50	230	165	125	177	4-Ø19	Ø99
HVPRVF 01	65	290	185	145	202	4-Ø19	Ø118
HVPRVF 02	80	310	200	160	219	8-Ø19	Ø132
HVPRVF 03	100	350	220	180	243	8-Ø19	Ø156
HVPRVF 04	125	400	250	210	243	8-Ø19	Ø156
HVPRVF 05	150	480	285	240	333	8-Ø23	Ø211
HVPRVF 06	200	600	340	295	428	12-Ø23	Ø266
HVPRVF 07	250	730	405	355	478	12-Ø28	Ø319
HVPRVF 08	300	850	460	410	538	12-Ø28	Ø370

Specification

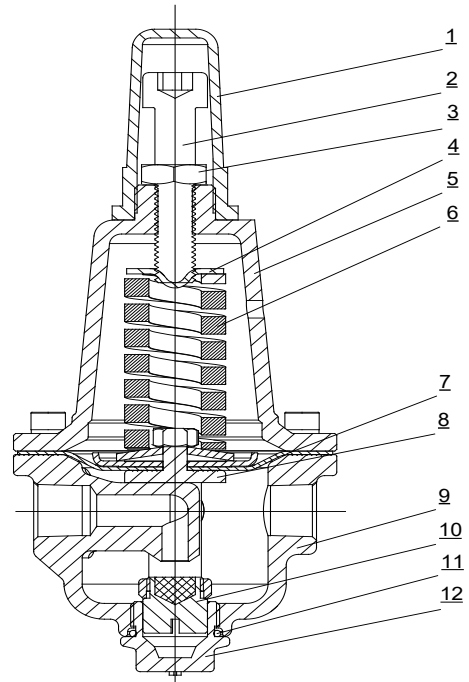
- Size: DN50 to DN300
- Pressure Rating: PN16 (PN25 available on request)
- Outlet Pressure: 1-10 Bar
- Working Temperature: -10°C to 80°C
- End Connection: EN1092-2, PN16
- purpose requirement : BS EN1074-5
- Valve Testing: BS EN12266-1
- Face to Face: BS EN558-1



Reducing Pilot

Construction

- 1 Cap : Plastic, ABS
- 2 Adjusting screw : Stainless Steel, AISI 304
- 3 Jam Nut : Stainless Steel, A2
- 4 Sprinh Table : Stainless Steel, AISI 304
- 5 Bonnet : Stainless Steel, AISI 304
- 6 Spring : Stainless Steel, SiCrV
- 7 Diaphragm : Nylon Reinforced Rubber
EPDM + Nylon
- 8 Yoke : Stainless Steel, AISI 304
- 9 Body : Stainless Steel, AISI 304
- 10 Disc : Stainless Steel + Rubber
AISI 304 + EPDM
- 11 O-ring : Rubber, NBR
- 12 Plug : Stainless Steel, AISI 304



Cavitation

