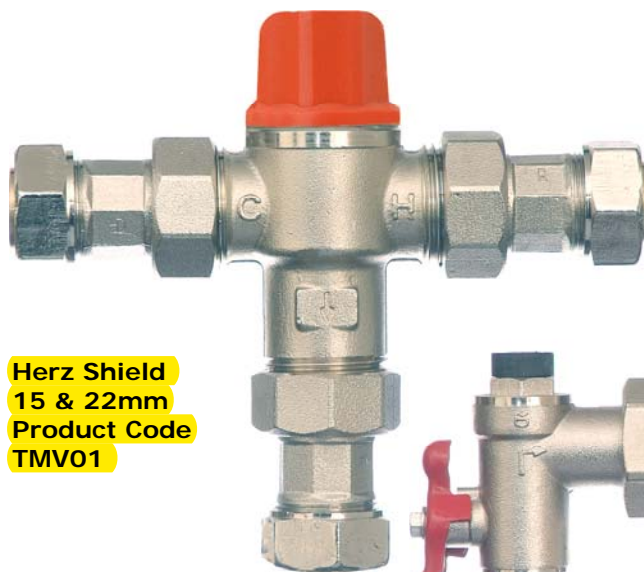
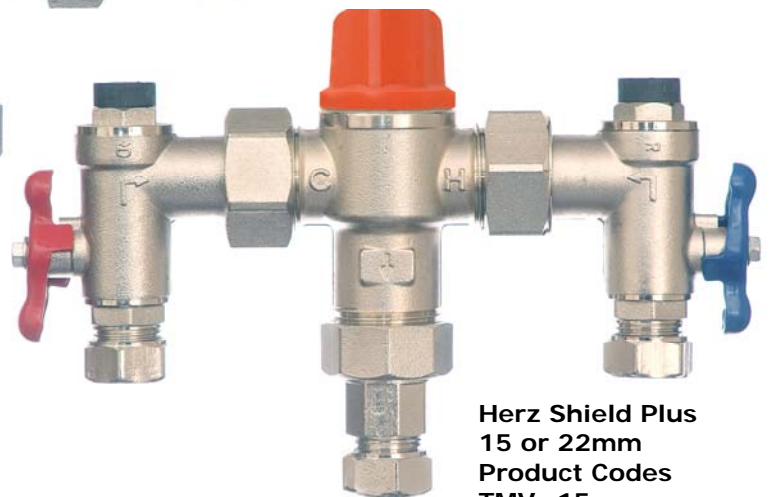


Herz Shield

...and Shield Plus



Herz Shield
15 & 22mm
Product Code
TMV01



Herz Shield Plus
15 or 22mm
Product Codes
TMV+15
TMV+22

Thermostatic Mixing Valve Type 3

The **Herz Shield** is suitable for the following applications:
HP-B; HP-S; HP-W; HP-T44; HPT46; LP-B; LP-S; LP-W





The **Herz Shield** in-line mixing valve is designed to eliminate the risk of scalding for health care, social, commercial, public and domestic applications to ensure protection for staff, visitors, patients and residents.

Approved by the TMV scheme and meets the requirements for a type 3 valve, complying with the NHS Model Engineering Specification, DO8

The valve is available 22mm compression connections as standard, or 15mm using the reducing sets supplied, and comes with flat faced union couplings, strainers and integral, removable check valves. Factory pre-set to 38°C but with simple adjustment system for each on-site application.

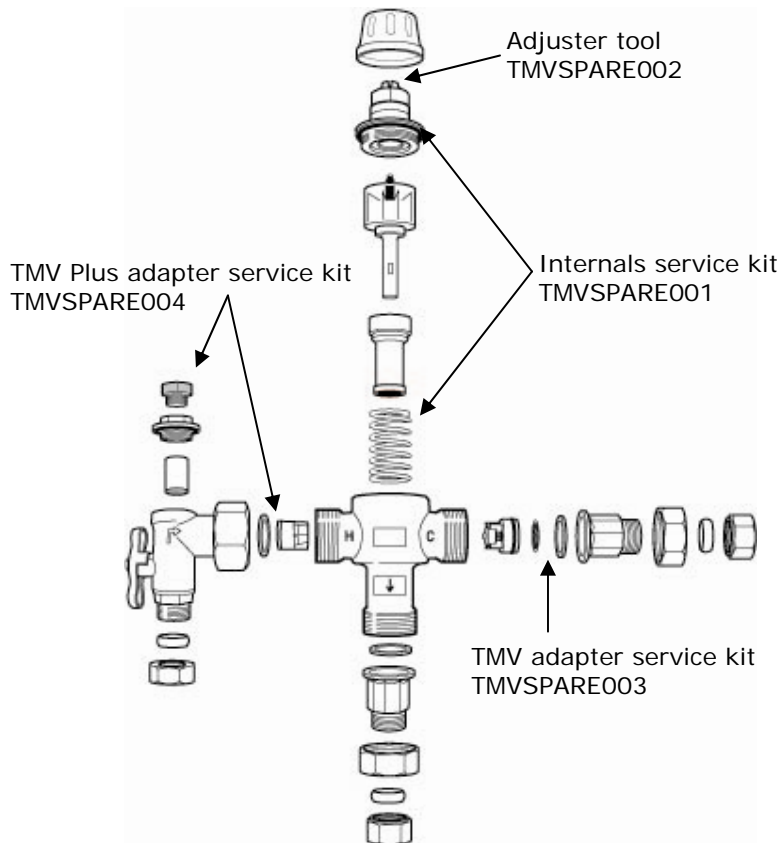
Note

We recommend the fitting of service valves, or service valve/filter units on each inlet supply to aid future isolation requirements, ensuring they are fully open during normal operation. In some installations, where debris is a problem, we also suggest the fitting of external serviceable strainers.



Adjustment

The valve is factory set to 38°C; most actual applications will require site adjustment of the valve. Ensure the above criteria are met. Remove the cap and using the special adjustment tool, turn clockwise to decrease temperature and turn anti-clockwise to increase temperature. The temperatures and pressures must be stabilised prior to refitting the cap; allow the mixed water to flow for a minute prior to final setting. Replace cap to secure the valve setting and to deter tampering.



Technical Specification

Nickel plated gunmetal body, nitrile seals, SS spring, SS strainers, Polysulphone piston

	General Operating Parameters	TMV3 Approved Parameters
Minimum mixed temperature	38°C	38°C
Maximum mixed temperature	46°C	46°C
Maximum temperature deviation	± 2°C	±2°C
Maximum hot inlet temperature	65°C	65°C
Maximum inlet pressure ratio	10:1	N/A
Maximum static pressure	16 bar	10 bar
Minimum dynamic flow pressure	0.2 bar	0.2 bar
Minimum temperature differential*	10°C	10°C
Minimum flow rate	4 l/min	N/A

* Between hot inlet and mixed outlet temperatures

Designation Codes

Code	Operating Pressure Range	Application	NHS Recommended Pre-set Mixed Water Temperature
HP-B	High Pressure	Bidet	38
HP-S	High Pressure	Shower	41
HP-W	High Pressure	Washbasin	41
HP-T44	High Pressure	Bath (44 °C fill)	44
HP-T46	High Pressure	Bath (46 °C fill)	46
LP-B	Low Pressure	Bidet	38
LP-S	Low Pressure	Shower	41
LP-W	Low Pressure	Washbasin	41
LP-T44	Low Pressure	Bath (44 °C fill)	44
LP-T46	Low Pressure	Bath (46 °C fill)	46

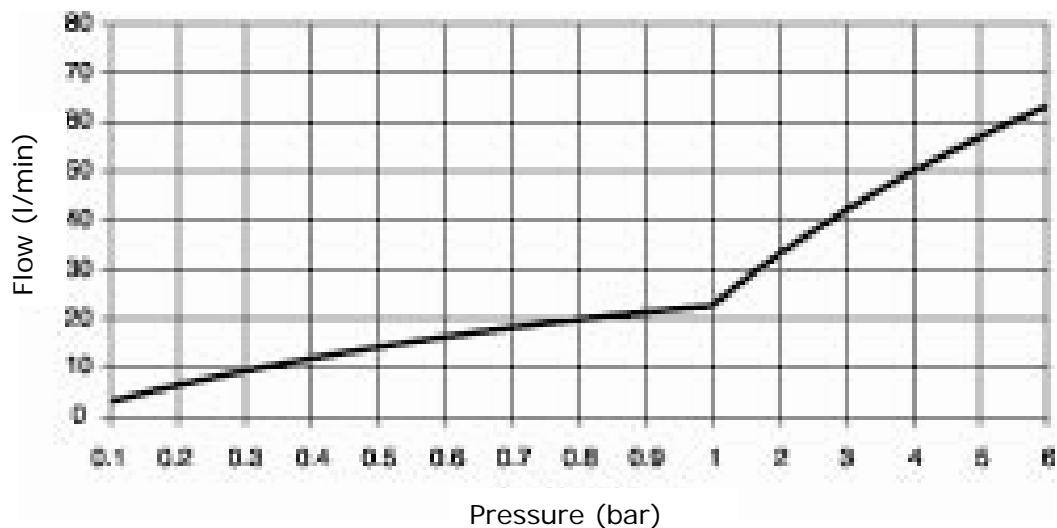
The **Herz Shield** is suitable for the following applications:
HP-B; HP-S; HP-W; HP-T44; HPT46; LP-B; LP-S; LP-W

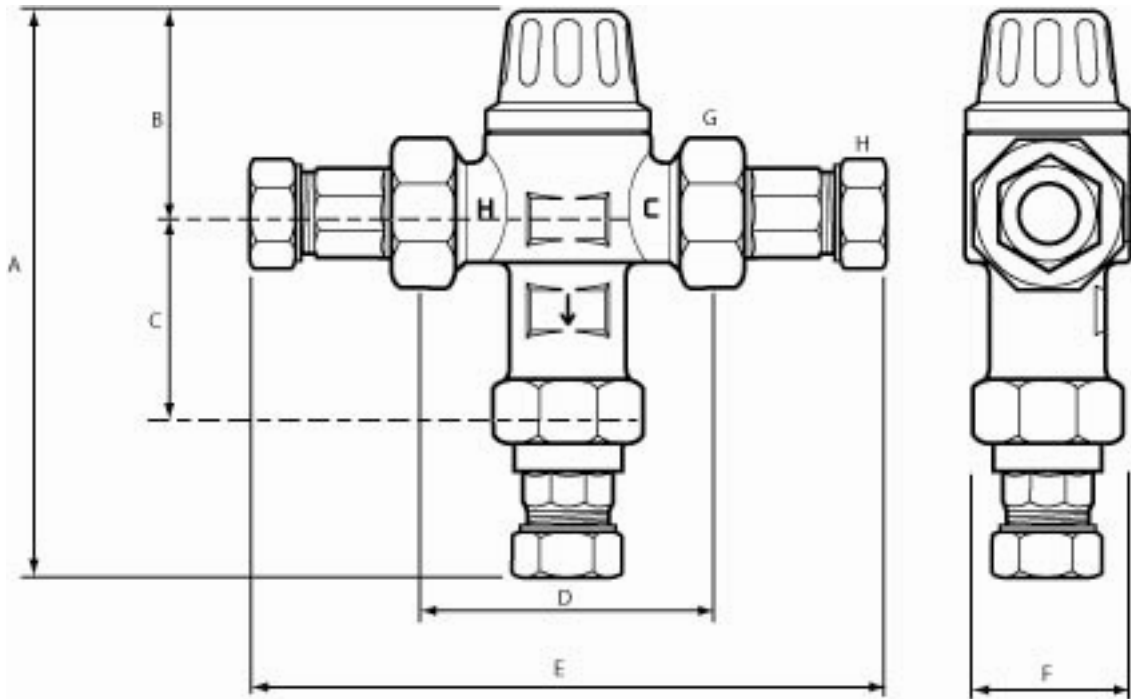
Operating Conditions

The valve must be installed with the following criteria, otherwise it will not be deemed to be installed under the terms of the TMV3 scheme. If these criteria are not met, the valve cannot be guaranteed to operate as a Type 3 valve.

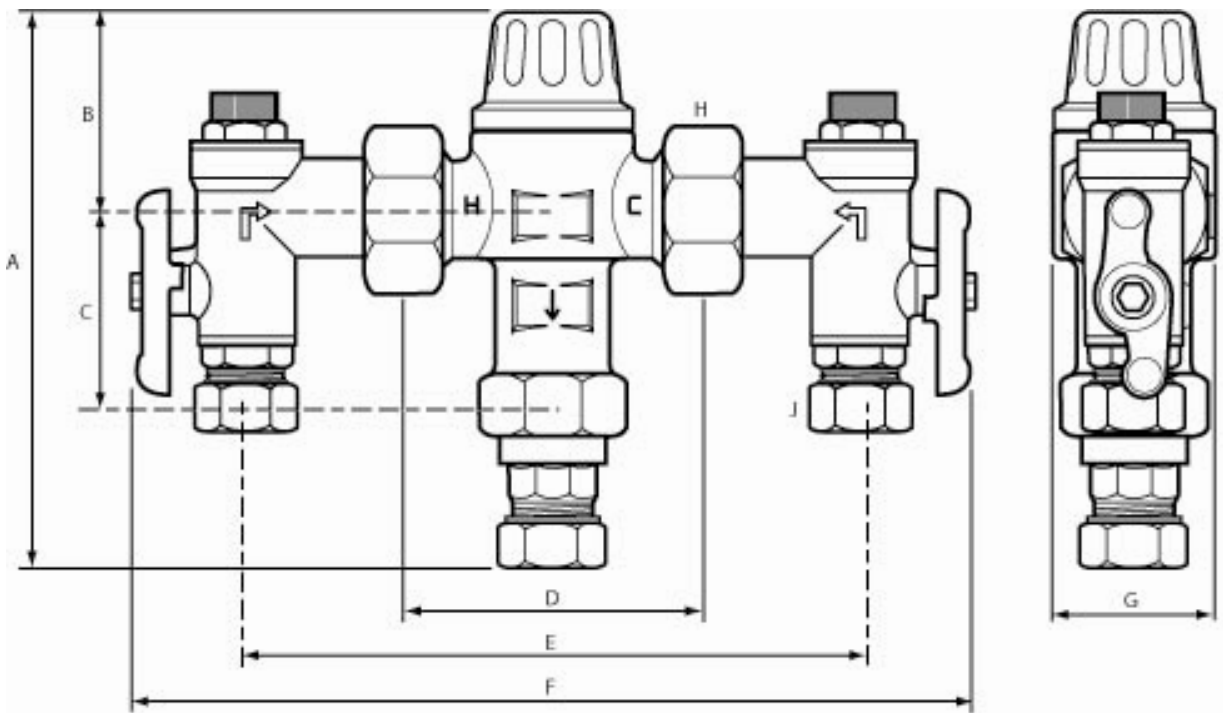
The valve will operate with a pressure ratio between supply pressures of 10:1, however, for more efficient operation, and normally higher flow rates, the inlet pressures should be equal.

Operating Pressure Range	High Pressure	Low Pressure
Maximum Static Pressure (bar)	16	16
Flow Pressure, hot & cold (bar)	1-5	0.2-1
Hot supply Temperature (°C)	52-65	52-65
Cold supply temperature (°C)	5-20	5-20





Type	A	B	C	D	E	F	G	H
Herz Shield	145	50	50	78	160	40	1" BSP	15/22mm



Type	A	B	C	D	E	F	G	H	J
Herz Shield Plus 15	145	50	50	78	157	220	40	1" BSP	15mm
Herz Shield Plus 22	145	50	50	78	157	220	40	1" BSP	22mm



Herz Valves UK Ltd

Progress House
 Moorfield Point, Moorfield Road
 Slyfield Industrial Estate
 Guildford Tel: 01483 502211
 Surrey, GU1 1RU. Fax: 01483 502025
 E-Mail, sales@herzvalves.com