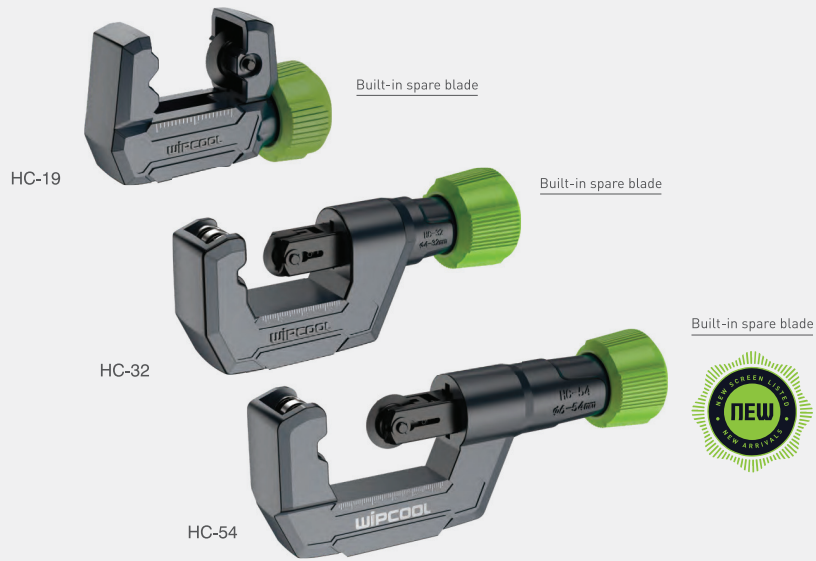


Tube Cutter
Spring Mechanism,
Fast&safe cutting

HC-19/32/54

- The Spring design prevents the crush of soft tubes(HC-32,HC-54).
- Made from wear-resistant steel blades ensures a durable and sturdy usage
- The rollers and the blade utilize ball bearings for smoother action.
- Stable roller tracking system keeps tube from threading
- An additional blade comes with the tool and be stored in the knob



Spring Mechanism



Stable grooved rollers tracking system



An additional blade stored in the knob



Sharp, wear-resistant steel blades



1 Fasten



2 Rotate



3 Fasten again



4 Rotate Again

TECHNICAL DATA :

Model	HC-19	HC-32	HC-54
Tubing O.D.	1/8"~3/4"	3/16"~1-1/4"	1/4"~2-1/8"
	3~19mm	4~32mm	6~54mm