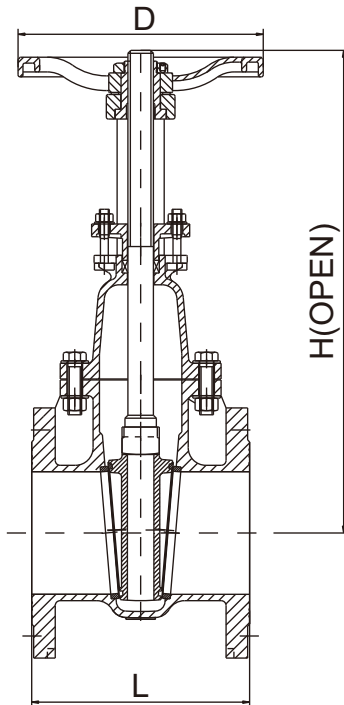


PN16

OS&Y Metal Seated Gate Valve

Fig. 3611



**Valve Standard :**  
Comply with BS 5150

**Pressure Temperature Ratings**

Working pressure	16bar
Testing Pressure	Shell:24bar
	Seal:17.6bar
Working Temperature	-10°C to 120°C

**Material Specification**

Part	Material	EN Spec. E
Body	Ductile Iron	EN-JS1050
Bonnet	Ductile Iron	EN-JS1050
Disc	Ductile Iron	EN-JS1050
Stem	Stainless Steel	BS970 420S37
Seat Ring	Bronze	
Packing	Graphite	Non-Asbestos
Hand Wheel	Ductile Iron	EN-JS1050

**Dimensions**

DN	mm	50	65	80	100	125	150	200	250	300
	inch	2	2-1/2	3	4	5	6	8	10	12
L		178	190	203	229	254	267	292	330	356
H		253	295	356	411	489	563	704	865	995
D		160	160	200	200	250	250	280	370	370