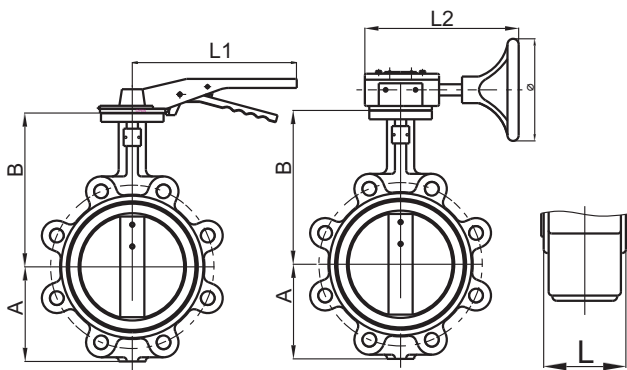


CLASS 125/ CLASS 250/
PN 16/PN25/JIS 10K/JIS 16K

Lug Butterfly Valves

Fig. 2502



Valve Standard :

Comply with ISO 5752/BS 5155/
BS EN 593/MSS SP-67/API 609
Lever / Worm Gear Operator, Epoxy Coated

Pressure Temperature Ratings

| | |
|---------------------|--------------------------|
| Working pressure | 16bar/25bar |
| Testing Pressure | Shell:24bar/37.5bar |
| | Seat:17.6bar/27.5bar |
| Working Temperature | -20°C to 110°C EPDM Seat |
| | -10°C to 80°C NBR Seat |
| Suitable Media | Water,Oil&Gas |

Material Specification

| Part | Material | ASTM |
|------------|---------------------|---------------|
| Body | Cast Iron | A126 Class B |
| | Ductile Iron | A536 65-45-12 |
| Disc | Ductile Iron | A536 65-45-12 |
| | Bronze | B148 95400 |
| | Stainless Steel 304 | A351 CF-8 |
| | Stainless steel 316 | A351 CF-8M |
| | Stainless steel 316 | A276 S 316 00 |
| Shaft | Stainless Steel 410 | A276 S 410 00 |
| | Stainless Steel 431 | A276 S 431 00 |
| | EPDM / NBR | |
| Seat Ring | | |
| Taper Pins | Stainless Steel 304 | A276 S 304 00 |
| | Stainless Steel 316 | A276 S 316 00 |
| Key | Stainless Steel 410 | A276 S 410 00 |
| | Carbon Steel | |
| O-Ring | EPDM / NBR | |
| Bushing | PTFE | |
| | Bronze | B62 C83600 |

Dimensions

| DN | mm | 40 | 50 | 65 | 80 | 100 | 125 | 150 | 200 | 250 |
|----|------|-------|-----|-------|-----|-----|-----|-----|-----|-----|
| | inch | 1-1/2 | 2 | 2-1/2 | 3 | 4 | 5 | 6 | 8 | 10 |
| A | | 68 | 80 | 89 | 95 | 114 | 127 | 139 | 175 | 203 |
| B | | 110 | 161 | 175 | 181 | 200 | 213 | 226 | 260 | 292 |
| L | | 33 | 42 | 45 | 45 | 51 | 55 | 55 | 60 | 67 |
| L1 | | 180 | 180 | 180 | 180 | 220 | 276 | 276 | 318 | 318 |
| L2 | | - | 212 | 212 | 212 | 212 | 212 | 212 | 305 | 305 |
| Ø | | - | 145 | 145 | 145 | 145 | 145 | 145 | 285 | 285 |

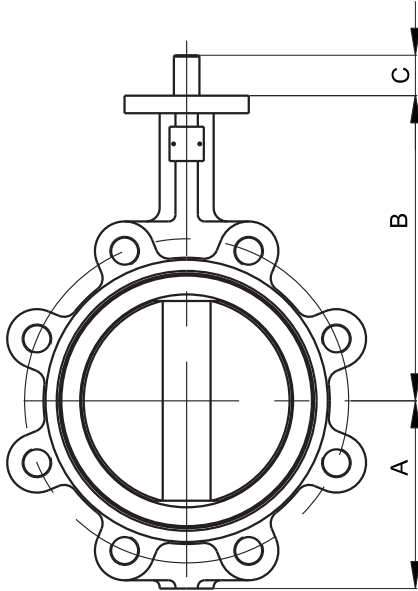
| DN | mm | 300 | 350 | 400 | 450 | 500 | 550 | 600 | 650 | 700 |
|----|------|-----|-----|-----|-----|-----|-----|-----|-----|-----|
| | inch | 12 | 14 | 16 | 18 | 20 | 22 | 24 | 26 | 28 |
| A | | 242 | 267 | 316 | 334 | 370 | 433 | 468 | 484 | 530 |
| B | | 337 | 368 | 400 | 422 | 480 | 533 | 562 | 540 | 626 |
| L | | 76 | 76 | 102 | 114 | 127 | 151 | 151 | 172 | 165 |
| L1 | | 318 | - | - | - | - | - | - | - | - |
| L2 | | 300 | 300 | 423 | 423 | 490 | 490 | 490 | 416 | 532 |
| Ø | | 285 | 285 | 385 | 385 | 385 | 385 | 385 | 385 | 425 |

Note: The butterfly valve can be supplied with electric or pneumatic actuator.

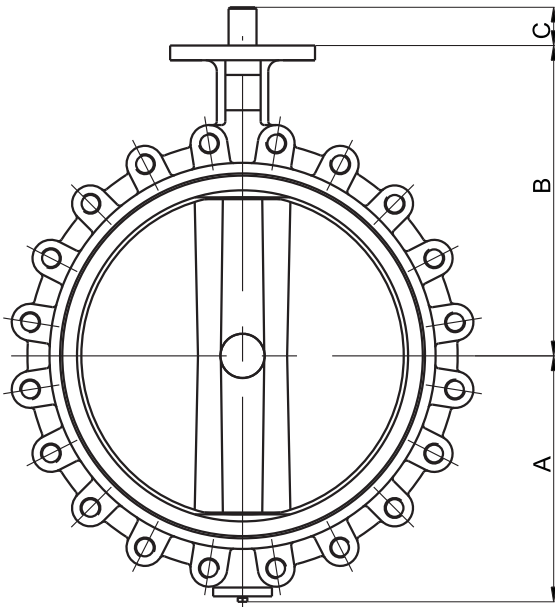
CLASS 125/ CLASS 250/
PN 16/PN25/JIS 10K/JIS 16K

Lug Butterfly Valves

Appearance



Fit DN40-DN350 Lug Butterfly valves



Fit DN400-DN700 Lug Butterfly valves