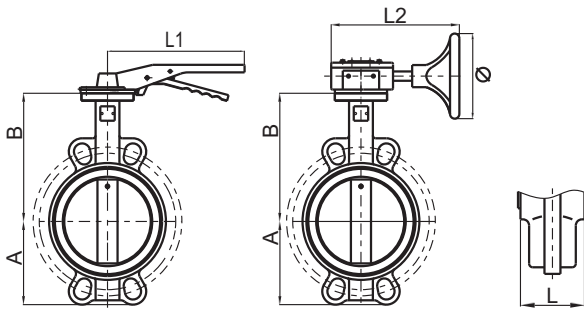


CLASS 125/ CLASS 250/  
PN16/PN25/JIS 10K/JIS 16K

Wafer Butterfly Valves

Fig. 2302



**Valve Standard :**

Comply with ISO 5752/BS 5155/  
BS EN 593/MSS SP-67/API 609  
Lever / Worm Gear Operator, Epoxy Coated

**Pressure Temperature Ratings**

Working pressure	16bar/25bar
Testing Pressure	Shell:24bar/37.5bar
	Seat:17.6bar/27.5bar
Working Temperature	-20°C to 110°C EPDM Seat
	-10°C to 80°C NBR Seat
Suitable Media	Water, Oil & Gas

**Material Specification**

Part	Material	ASTM
Body	Cast Iron	A126 Class B
	Ductile Iron	A536 65-45-12
Disc	Ductile Iron	A536 65-45-12
	Bronze	B148 C95400
	Stainless Steel 304	A351 CF-8
	Stainless steel 316	A351 CF-8M
	Stainless steel 316	A276 S 316 00
Shaft	Stainless Steel 410	A276 S 410 00
	Stainless Steel 431	A276 S 431 00
Seat Ring	EPDM / NBR	
	Stainless Steel 304	A276 S 304 00
Taper Pins	Stainless Steel 316	A276 S 316 00
	Stainless Steel 410	A276 S 410 00
Key	Carbon Steel	
O-Ring	EPDM / NBR	
Bushing	PTFE	
	Bronze	B62 C83600

**Dimensions**

DN	mm	40	50	65	80	100	125	150	200	250	300	350	400
	inch	1-1/2	2	2-1/2	3	4	5	6	8	10	12	14	16
A		68	80	89	95	114	127	139	175	203	242	267	316
B		110	161	175	181	200	213	226	260	292	337	368	400
L		33	42	45	45	51	55	55	60	67	76	76	102
L1		180	180	180	180	220	276	276	318	318	318	-	-
L2		-	212	212	212	212	212	212	305	305	300	300	423
Ø		-	145	145	145	145	145	145	285	285	285	285	385

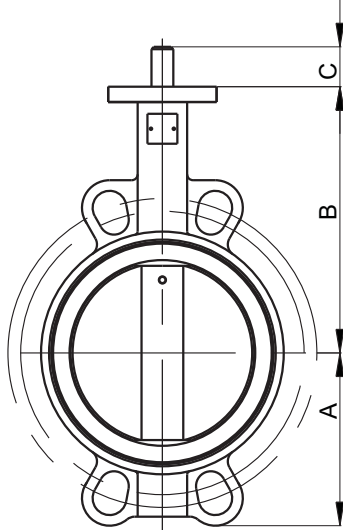
DN	mm	450	500	550	600	650	700	750	800	900	1000	1200	-
	inch	18	20	22	24	26	28	30	32	36	40	48	-
A		334	370	433	468	484	530	565	602	661	724	869	-
B		422	480	533	562	540	626	660	666	722	806	938	-
L		114	127	151	151	172	165	167	188	203	216	276	-
L1		-	-	-	-	-	-	-	-	-	-	-	-
L2		423	490	490	490	416	532	532	483	483	600	628	-
Ø		385	385	385	385	385	425	425	425	425	425	425	-

**Note:** The butterfly valve can be supplied with electric or pneumatic actuator.

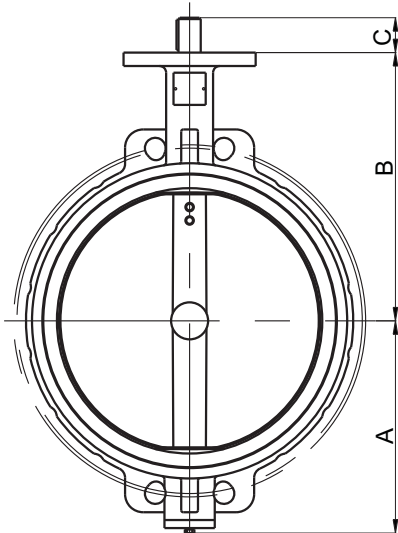
CLASS 125/ CLASS 250/  
PN 16/PN25/JIS 10K/JIS 16K

Wafer Butterfly Valves

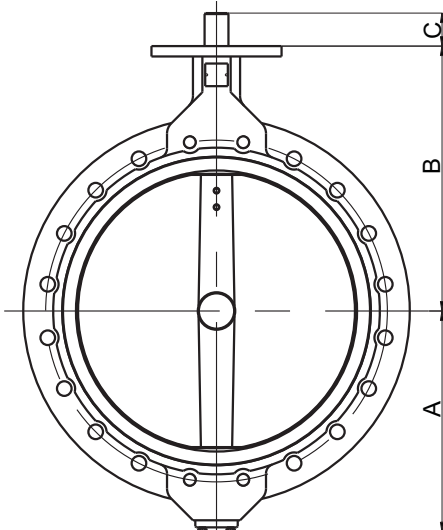
Appearance



Fit DN40-DN350 Wafer Butterfly valves



Fit DN400-DN500 Wafer Butterfly valves



Fit DN550-DN1200 Wafer Butterfly valves