

Tender specification:

Oventrop wafer pattern butterfly valves (DN 50 up to DN 300) for installation between two flanges according to DIN EN 1092-2 (PN 6, PN 10 or PN 16) and lugged pattern butterfly valves (DN 50 up to DN 600) for installation between two flanges according to DIN EN 1092-2 (PN 10 or PN 16 for DN 50 up to DN 150; DN 200 up to 600 only for PN 16).

Technical data:

Max. operating pressure p_s : PN 16

Operating temperature t_s : -10 °C up to +120 °C

Pipe fitting for operation with non-aggressive, harmless fluids (e.g. water or suitable water and glycol mixtures according to VDI 2035/ÖNORM 5195).

Body made of nodular cast iron EN-GJS-400-15 (EN-JS-1030)

Stem made of stainless steel AISI 420

Flap made of stainless steel AISI 316 (CF8M)

Liner made of EPDM

Stems with O-ring seal

The butterfly valves must only be used as terminal valve with fitted blind flange.

DN	k_{vs} values
50	147
65	290
80	450
100	730
125	1,260
150	1,990
200	4,390
250	4,500
300	6,800
350	8,900
400	11,500
450	15,000
500	18,800
600	27,600

Advantages:

- compact construction
- quarter turn operation of the lever for a quick isolation
- snap-in lever
- installation in any position
- low pressure loss due to centrally mounted flap and flow-supporting construction
- extended stem for an easy insulation of the pipework

Application:

Oventrop butterfly valves are installed in the risers of hot water central heating systems, cooling systems and industrial plants with closed circuits.

Due to the special construction of the butterfly valves, the isolation function is given even where space is limited.

The internal liner guarantees a safe sealing of the stem conduits and the flanges against escaping fluid.

Additional counter flange seals are not required. The fluid only comes into contact with the flap and the liner.



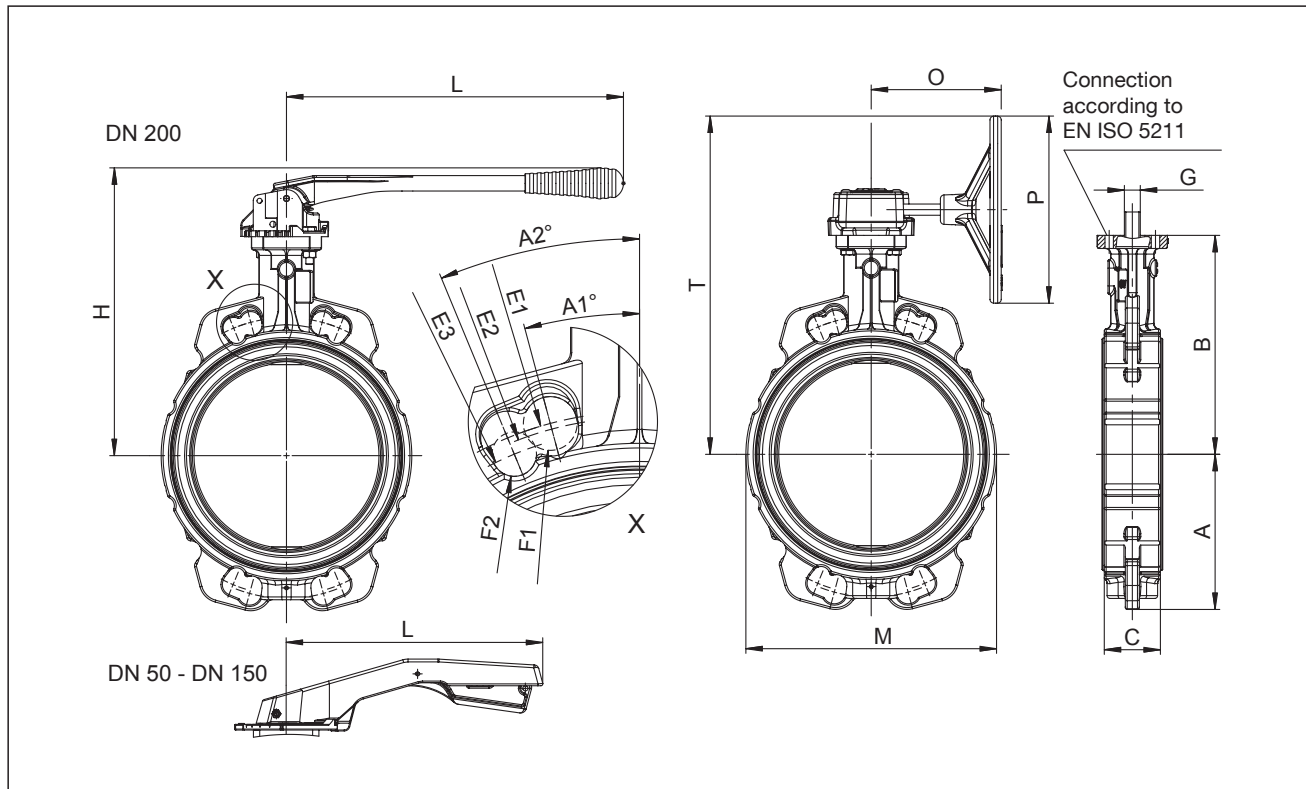
Wafer pattern butterfly valve DN 50 up to DN 300 (illustration with lever)



Lugged pattern butterfly valve DN 50 up to DN 600 (illustration with gear operator)

Models:

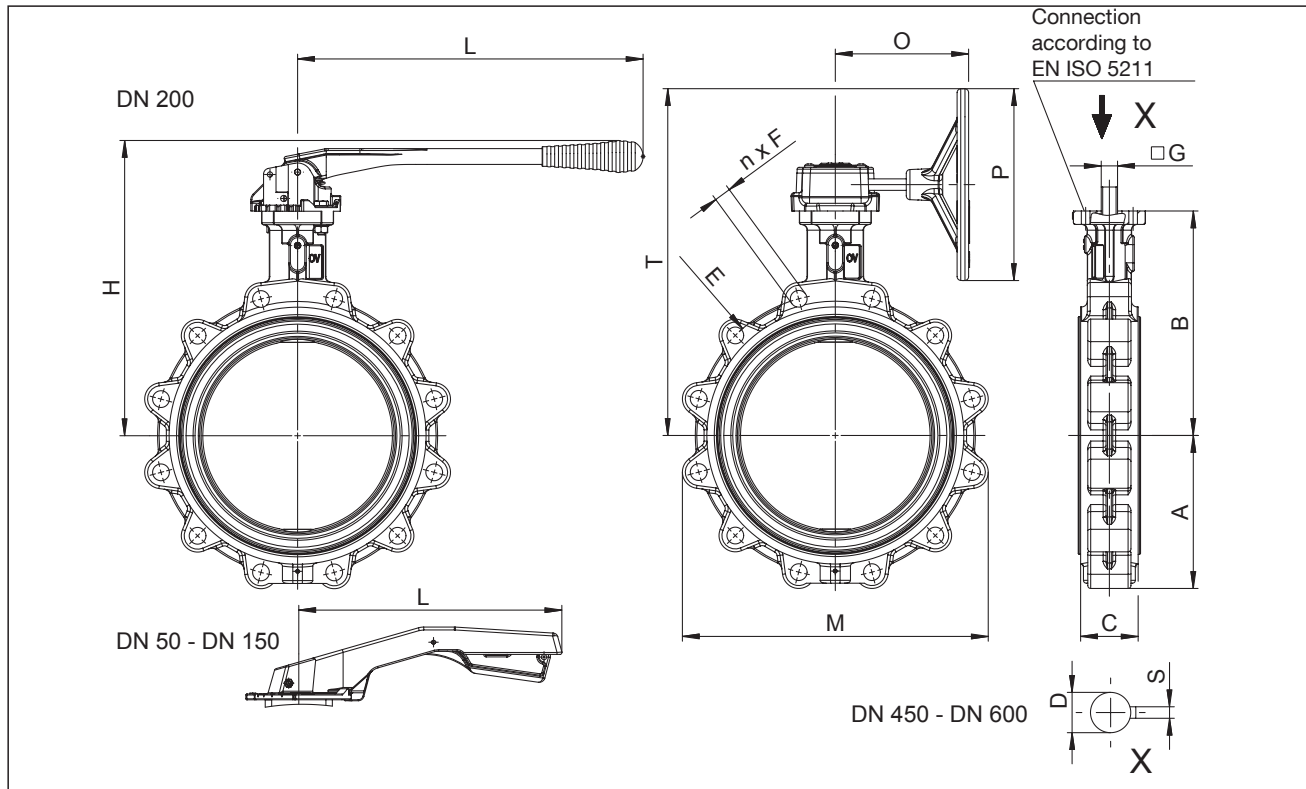
DN	Item no.			
	Wafer pattern		Lugged pattern	
	Lever	Gear	Lever	Gear
50	1046450		1048450	
65	1046451		1048451	
80	1046452		1048452	
100	1046453	1047253	1048453	1049253
125	1046454	1047254	1048454	1049254
150	1046455	1047255	1048455	1049255
200	1046456	1047256	1048456	1049256
250		1047257		1049257
300		1047258		1049258
350				1049259
400				1049260
450				1049261
500				1049262
600				1049263



Wafer pattern (DN 50 up to DN 300)

DN	A	B	C	A1°	A2°	ØE1	ØE2	ØE3	ØF1	ØF2	□G	H	L	ØM	O	ØP	T
50	64	146	43	45	-	125	-	110	18	14	14	222	200	96	-	-	-
65	72	153.5	46	45	-	145	-	130	18	14	14	230	200	113	-	-	-
80	89	163	46	22.5	45	160	-	150	18	-	14	239	200	128	-	-	-
100	105	172.5	52	22.5	45	180	-	170	18	-	14	249	275	150	91	100	242
125	119	192.5	56	22.5	-	210	-	200	18	-	17	269	275	184	139	200	320
150	130	205	56	22.5	-	240	-	225	22	18	17	281	275	212	139	200	333
200	166	234	60	15	22.5	295	-	280	22	18	17	308	350	268	139	200	362
250	203	270	68	15	-	355	350	335	26	18	22	-	-	320	157	200	404
300	237	310	78	15	-	410	400	395	26	22	22	-	-	378	157	200	444

Dimensions



Lugged pattern (DN 50 up to DN 600)

DN	A	B	C	ØE	n x F	□G	ØD	S	H	L	M	O	ØP	T
50	64	146	43	125	4 x M16	14	-	-	222	200	115	-	-	-
65	72	153.5	46	145	4 x M16	14	-	-	230	200	129	-	-	-
80	87	163	46	160	8 x M16	14	-	-	239	200	174	-	-	-
100	96	172.5	52	180	8 x M16	14	-	-	249	275	192	91	100	242
125	117	192.5	56	210	8 x M16	17	-	-	269	275	234	139	200	320
150	127	205	56	240	8 x M20	17	-	-	281	275	255	139	200	333
200	159	234	60	295	12 x M20	17	-	-	308	350	319	139	200	362
250	202	270	68	355	12 x M24	22	-	-	-	-	397	157	200	404
300	237	310	78	410	12 x M24	22	-	-	-	-	464	157	200	444
350	271	325	78	470	16 x M24	27	-	-	-	-	509	255	400	559
400	314	365	102	525	16 x M27	27	-	-	-	-	590	346	600	713
450	330	425	114	585	20 x M27	-	38	10	-	-	616	298	450	706
500	375	485	127	650	20 x M30	-	42	12	-	-	702	346	600	833
600	460	565	154	770	20 x M33	-	50	14	-	-	825	348	600	921

Dimensions

Installation advice:

Before installation please make sure that the surfaces of the flanges comply with DIN EN 1092-2 (PN 6, PN 10 or PN 16) and that they are installed in parallel with a sufficient distance to each other.

An exact alignment of the Oventrop butterfly valves with the adjoining flanges is very important:

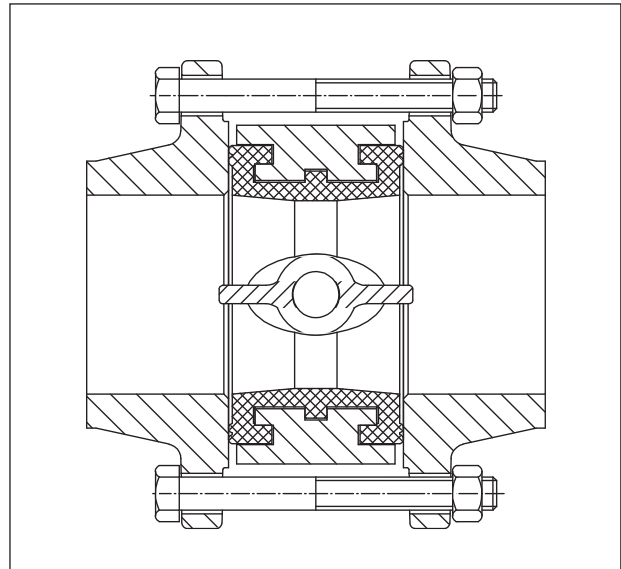
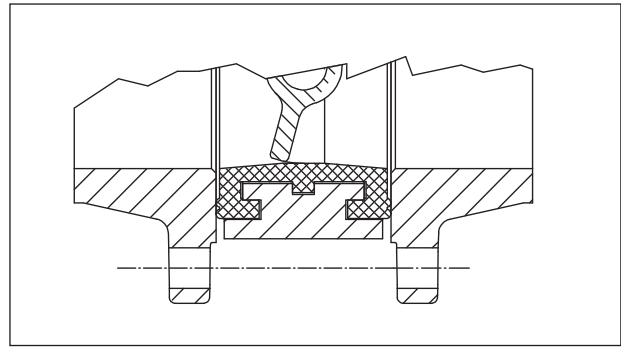
- Fully use the sealing surfaces between butterfly valve and the flange
- Avoid damage to the internal flap during opening

Open the butterfly valve slightly before installation.

When tightening the screws of the flange, the butterfly valve must be fully open to make sure that the initial torque when actuating the valve is not too high due to the deformation of the liner.

Additional flange seals are not required.

Tighten the screws crosswise.



Subject to technical modifications without notice.

Product range 5
ti 393-EN/10/MW
Edition 2019