

400/405

Bronze Globe Valve



Via Circonvallazione, 10
13018 Valduggia (VC), Italy
Tel: +39 0163 47891
Fax: +39 0163 47895
www.vironline.com



Bronze globe valve
Threaded F/F (ISO 228/1)
Rising stem, O-ring + adjustable packing
With PTFE seal (Fig. 400) or metal seal (Fig. 405)

PN16 (Max 16bar up to 100°C, max 7,9bar above)
Free of CE marking (cat. according to Art. 4.3 Dir. 2014/68/EU)

Working conditions

- Suitable for: water, 0°C to +170°C
- Not suitable for: gases group 1 & 2, liquids group 1 (Dir. 2014/68/UE)



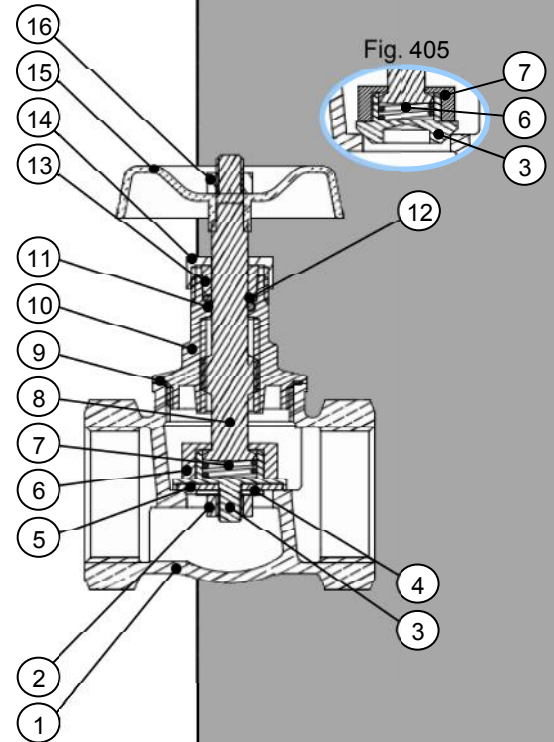
PARTLIST

N.	Part	Material	Norm
1	Body	Bronze	EN1982 CC491K
2	Nut ¹	Brass	EN12164 CW617N
3	Wedge	Brass	EN12165 CW617N
4	Washer ¹	Brass	EN12164 CW617N
5	Gasket disc ¹	PTFE	-
6	Ring ²	Brass	EN12165 CW617N
7	Spring ²	Acciaio inox	AISI 302
8	Stem	Brass	EN12164 CW617N
9	Gasket	PTFE	-
10	Bonnet	Brass	EN12165 CW617N
11	O-ring ³	FKM	-
12	Washer	Brass	EN12164 CW617N
13	Packing ring	PTFE	-
14	Packing nut	Brass	EN12165 CW617N
15	Handwheel	Painted steel	-
16	Nut	Zinc plated steel	-

¹Only for Fig. 400

²Only for DN≥40

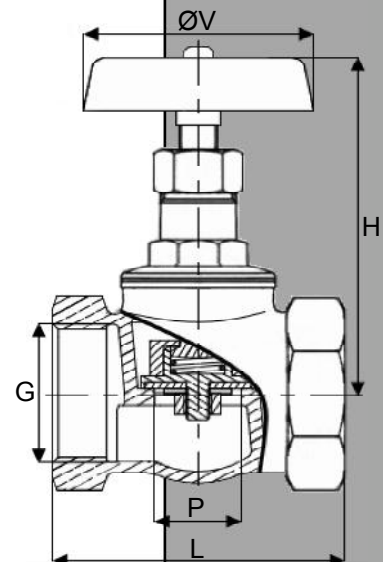
³NBR for Fig. 405



DIMENSIONS

DN	G	L [mm]	P [mm]	H [mm]	ØV [mm]	Weight ¹ [g]
008	¼"	46	11	73	50	195 / 195
010	⅜"	50	11	70	50	220 / 218
015	½"	50	11	71	50	241 / 236
020	¾"	55	13	77	50	312 / 310
025	1"	64	19	90	60	445 / 448
032	1¼"	73	23	103	60	640 / 618
040	1½"	83	29	113	70	943 / 943
050	2"	88	36	132	80	1160 / 1184
065	2½"	150	62	209	120	4069 / 4033
080	3"	165	76	224	120	4800 / 4900
100	4"	190	94	262	140	7500 / 7500

¹Fig. 400 / Fig. 405



180504