

33FF

Full Port Brass Ball Valve with Reversible Handle



Via Circonvallazione, 10
13018 Valduggia (VC), Italy
Tel: +39 0163 47891
Fax: +39 0163 47895
www.vironline.com

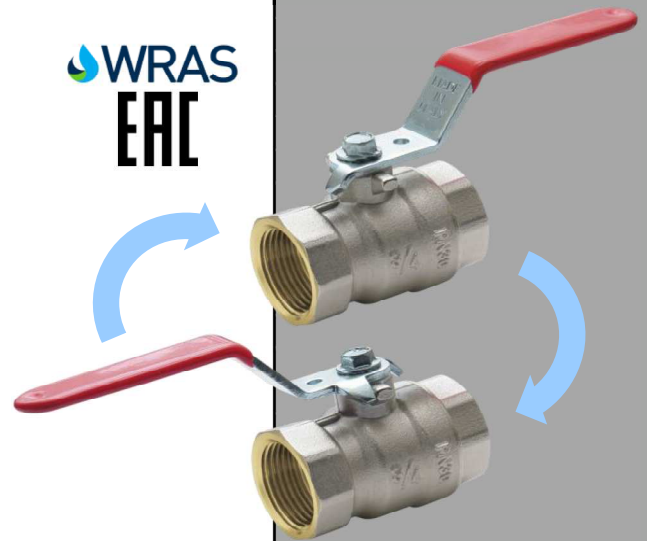


Full port brass ball valve
Threaded F/F (ISO 228/1)
Air testing according to EN12266-1
Blow-out proof stem
Reversible handle
WRAS and TR CU 010 compliant

PN32 (Max 32bar up to 85°C, max 10bar at 130°C)
When used with air Max 20bar up to 110°C, max 10bar at 130°C
Free of CE marking (cat. according to Art. 4.3 Dir. 2014/68/EU)

Working conditions

- Suitable for: water, 0°C to +130°C
- Suitable for: air, -10°C to +130°C
- Not suitable for: gases and liquids group 1 (Dir. 2014/68/EU)

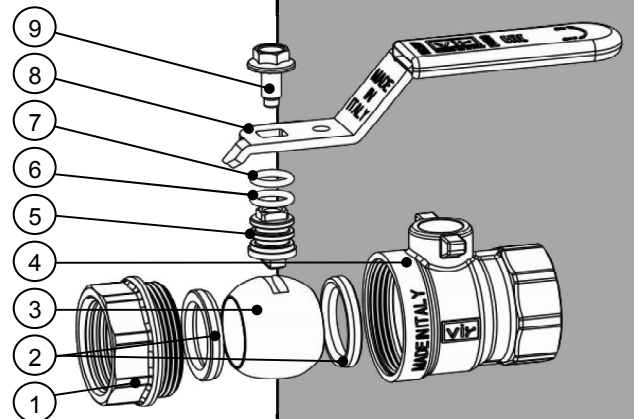


PARTLIST

| N. | Part | Material | Norm |
|----|-----------|----------------------------------|----------------|
| 1 | Fixed end | Nickel plated brass ¹ | EN12165 CW617N |
| 2 | Seat | PTFE | - |
| 3 | Ball | Chromium pl. brass | EN12164 CW617N |
| 4 | Body | Nickel plated brass ¹ | EN12165 CW617N |
| 5 | Stem | Brass | EN12164 CW617N |
| 6 | O-ring | NBR 70SH | - |
| 7 | O-ring | FKM | - |
| 8 | Handle | Dacromet steel ² | EN10111 Fe P11 |
| 9 | Screw | Zinc plated steel | EN10025 Fe42 |

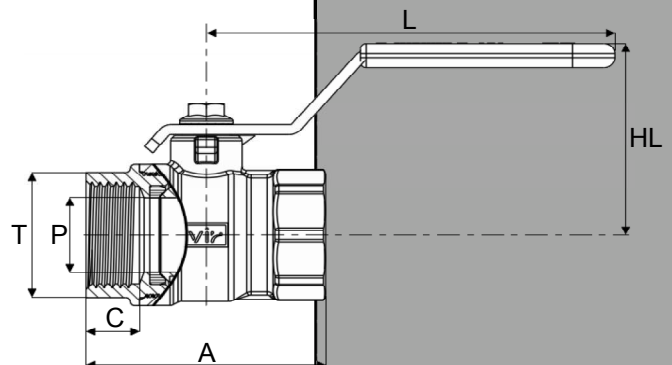
¹Threads and internal parts not plated

²With red PVC cover



DIMENSIONS

| DN | T | A | C | P | HL | L | Weight |
|-----|--------|-------|------|------|------|-------|--------|
| | | [mm] | [mm] | [mm] | [mm] | [mm] | [g] |
| 010 | 3/8" | 40,7 | 10,0 | 8,5 | 32 | 81,0 | 85 |
| 015 | 1/2" | 47,6 | 11,5 | 12,7 | 44 | 91,5 | 165 |
| 020 | 3/4" | 53,7 | 12,0 | 18,5 | 47 | 91,5 | 230 |
| 025 | 1" | 65,0 | 14,5 | 24,0 | 51 | 126,5 | 390 |
| 032 | 1 1/4" | 77,8 | 16,0 | 31,0 | 57 | 126,5 | 560 |
| 040 | 1 1/2" | 85,0 | 17,0 | 37,0 | 69 | 141,5 | 830 |
| 050 | 2" | 103,0 | 19,0 | 49,5 | 78 | 141,5 | 1310 |



190225