

# WPT

All SS Pressure Gauge  
Bourdon type (Two Part Connection System)



CE

## Special Features

- Stainless steel case & measuring system
- Rugged construction
- Dry or liquid filled
- Standard followed in general EN 837-1

## Application

- Food & beverage
- Engine compressors
- Diesel engines
- Equipments
- Nuclear power plants
- Pharmaceutical
- Turbines
- Hydraulic
- Petrochemical industries
- Hydro-cleaning machines
- Refrigerating plants and gaseous / liquid media that will not obstruct the pressure system.
- Pumps
- Chemical
- Conventional
- Presses

## Specifications

### Standard Version : 40mm, 50 mm, 63 mm & 80 mm

Accuracy	: ± 1.6% of F.S.
Ambient temperature	: - 25°C to + 65°C
Process temperature	: Max 180°C
Operating pressure	: 75 % of Scale Value
Over pressure limit	: ≤ 100 bar : 125% of Max. Scale Value
	: > 100 to ≤ 600 bar : 115% of Max. Scale Value
	: > 600 to ≤ 1600 bar : 110% of Max. Scale Value

Case & Bezel	: AISI 304 SS (Crimped Bezel) / Optional Bayonet Bezel For NS 63 & 83mm(Option : SAB )
Socket	: AISI 316 SS
Bourdon	: AISI 316L SS
Movement	: AISI 304 SS
Joints	: Tig Argon Arc Welding

Protection	: IP 68
Dial	: Aluminium, black graduation on white background
Pointer	: Black Coloured, Fixed
Window	: Plexi Glass / Toughened Glass for Option SAB
Filling Plug	: Neoprene
Gasket	: Neoprene

### Dry but fillable version (option DFG)

Fillable Dampening Liquid	: Glycerine 99.7%
Ambient Temperature	: (-) to 65°C
Process Temperature	: Maximum 100°C
Other Features	: Refer Specification of Standard Version

### Glycerine filled version (option LGF)

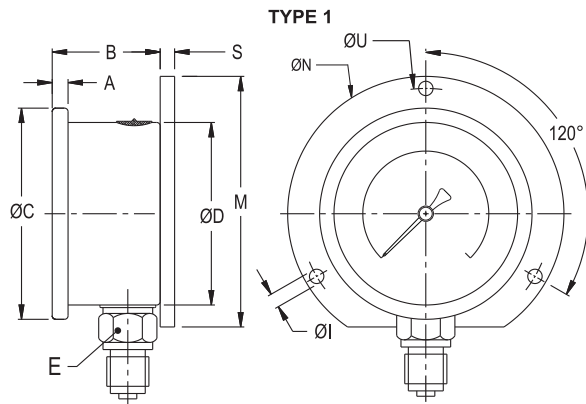
Accuracy	: ±1.6% of F. S.
Ambient Temperature	: Maximum
Process Temperature	: Maximum 100°C
Window	: Plexi Glass / Toughened Glass for Option SAB
Dampening Liquids	: Glycerine 99.7%
Other Features	: Refer Specification of Standard Version

### Temperature effect:

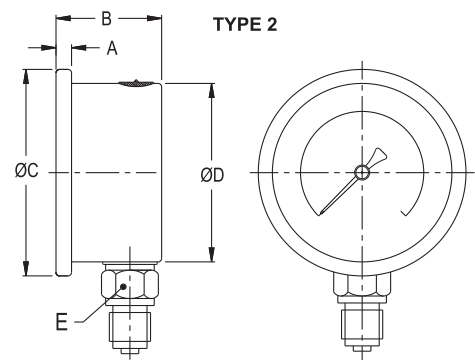
The variation of indication caused by effects of temperature is to be calculated by below formula; which is to be added in the specified accuracy while measurement :- Formula :  $\pm 0.04 \times (t_2 - t_1) \%$  of F. S. where  $t_1$  = reference temperature (+20°C) and  $t_2$  = ambient temperature in °C.

Distributed by

**Dimensions - standard version (Crimped / Rolling Bezel)**

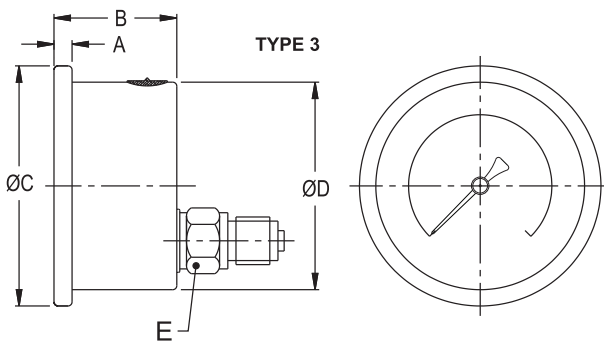


NS	A	B	ØC	ØD	E	S	ØN	ØI	ØU	M	Weight in gram (With Box)	Weight in gram (With Glycerin & Box)
63	6.5	30.5	69	62.5	A/F 14	7	86	3.6	75	80	190.0	250.0

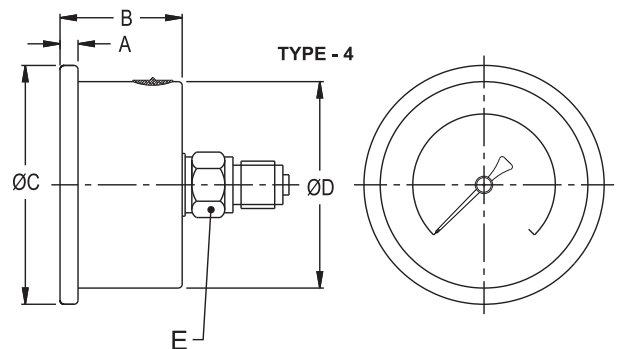


NS	A	B	ØC	ØD	E	Weight in gram (With Box)	Weight in gram (With Glycerin & Box)
40*	5	29	45.5	41	A/F 14	90.0	130.0
50	5	29	57.5	51.5	A/F 14	125.0	185.0
63	6.5	30.5	69	62.5	A/F 14	140.0	200.0

\* Push Fit type (standard)

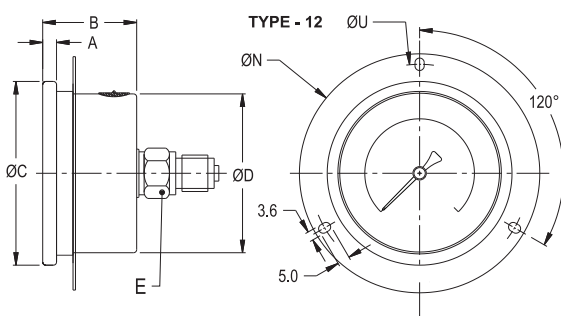


NS	A	B	ØC	ØD	E	Weight in gram (With Box)	Weight in gram (With Glycerin & Box)
63	6.5	30.5	69	62.5	A/F 14	160.0	220.0

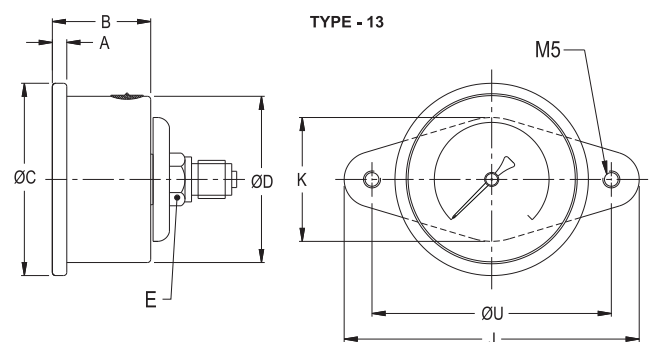


NS	A	B	ØC	ØD	E	Weight in gram (With Box)	Weight in gram (With Glycerin & Box)
40*	5	29	45.5	41	A/F 14	100.0	140.0
50	4.5	29	57.5	51.5	A/F 14	117.0	167.0
63	6.5	30.5	69	62.5	A/F 14	170.0	230.0

\* Rolling type (standard)



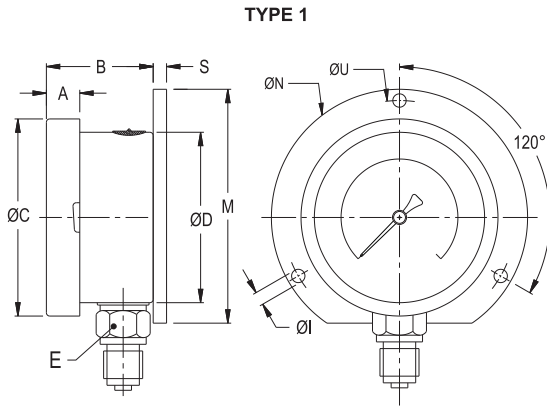
NS	A	B	ØC	ØD	E	ØN	ØU	Weight in gram (With Box)	Weight in gram (With Glycerin & Box)
63	6.5	30.5	69	62.5	A/F 14	86	75	220.0	280.0



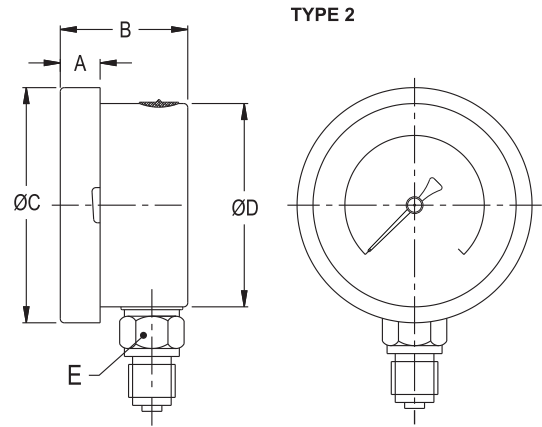
NS	A	B	ØC	ØD	E	J	K	ØU	Weight in gram (With Box)	Weight in gram (With Glycerin & Box)
50	5	29	57	51.5	A/F 14	91	38	70.5	180.0	240.0
63	6.5	30.5	69	62.5	A/F 14	91	38	70.5	210.0	270.0

Notes : • Drawings are not to scale. • All Dimensions are in mm . • NS = Nominal size  
• Weights mentioned are approximate and for standard product. Weight can be different after selection of options.

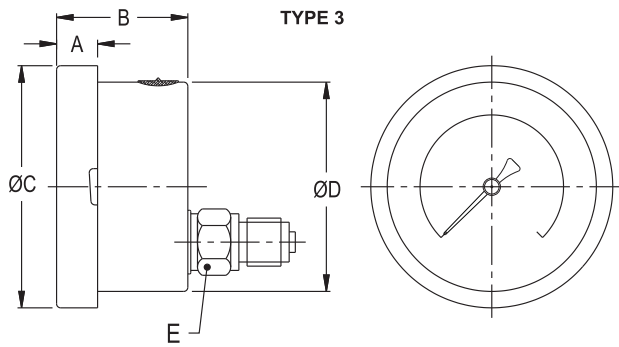
**Dimensions - Optional version With Option SAB ( Snap Action Bayonet type bezel )**



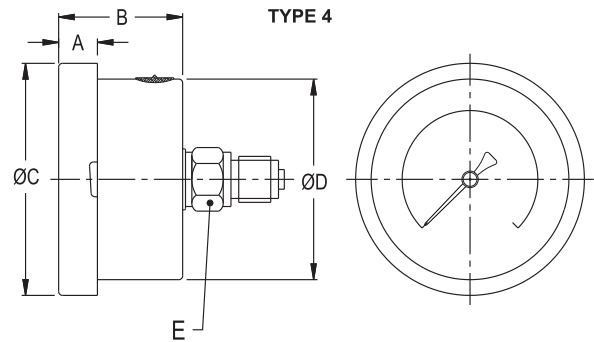
NS	A	B	ØC	ØD	E	S	ØN	ØI	ØU	M	Weight in gram (With Box)	Weight in gram (With Glycerin & Box)
63	12	32	70	63	A/F 14	1	86	3.5	75	80	215.0	265.0
80	12	35	90	80	A/F 14	1	110	5	94	95	300.0	380.0



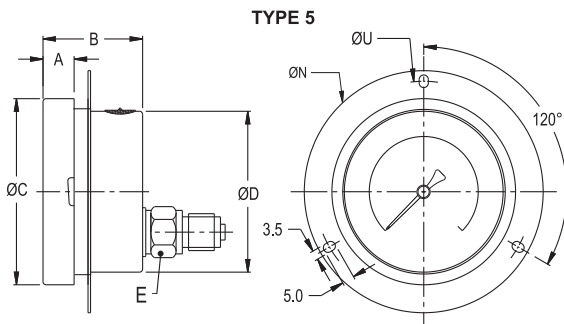
NS	A	B	ØC	ØD	E	Weight in gram (With Box)	Weight in gram (With Glycerin & Box)
63	12	32	70	63	A/F 14	180.0	240.0
80	12	35	90	80	A/F 14	250.0	330.0



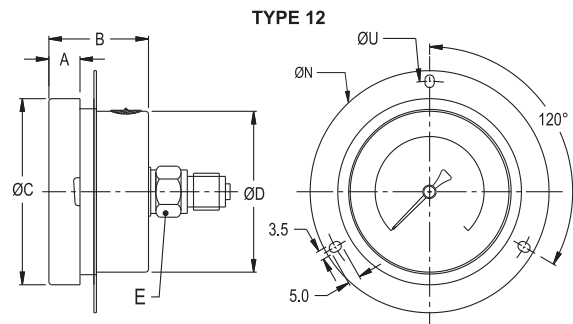
NS	A	B	ØC	ØD	E	Weight in gram (With Box)	Weight in gram (With Glycerin & Box)
63	12	32	70	63	A/F 14	190.0	250.0



NS	A	B	ØC	ØD	E	Weight in gram (With Box)	Weight in gram (With Glycerin & Box)
63	12	32	70	63	A/F 14	188.0	250.0
80	12	35	90	80	A/F 14	240.0	320.0



NS	A	B	ØC	ØD	E	ØN	ØU	Weight in gram (With Box)	Weight in gram (With Glycerin & Box)
63	12	32	70	63	A/F 14	86	75	213.0	275.0



NS	A	B	ØC	ØD	E	ØN	ØU	Weight in gram (With Box)	Weight in gram (With Glycerin & Box)
63	12	32	70	63	A/F 14	86	75	213.0	275.0
50	12	32	59	52	A/F 14	76	65	200.0	250.0

## Range Table

Note : We offer Pressure ranges, Vacuum ranges and Compound ranges in Scales like kPa, MPa, bar, psi, kg/cm<sup>2</sup> & Dual Scale like kPa with psi, kPa with bar, bar with psi or scales as per the requirement can be provided on request. Following are the example tables for kg/cm<sup>2</sup> & psi scales.

### Range with nominal sizes

Nominal size

Range (psi with kg/cm <sup>2</sup> )		40 mm	50 mm	63 mm	80 mm
psi	kg/cm <sup>2</sup>				
-30 inHg / 0	-760 mmHg / 0	✓	✓	✓	✓
0/15 psi	0/1 kg/cm <sup>2</sup>	✓	✓	✓	✓
0/30 psi	0/2 kg/cm <sup>2</sup>	✓	✓	✓	✓
0/60 psi	0/4 kg/cm <sup>2</sup>	✓	✓	✓	✓
0/100 psi	0/7 kg/cm <sup>2</sup>	✓	✓	✓	✓
0/150 psi	0/10 kg/cm <sup>2</sup>	✓	✓	✓	✓
0/230 psi	0/16 kg/cm <sup>2</sup>	✓	✓	✓	✓
0/300 psi	0/20 kg/cm <sup>2</sup>	✓	✓	✓	✓
0/400 psi	0/28 kg/cm <sup>2</sup>	✓	✓	✓	✓
0/500 psi	0/35 kg/cm <sup>2</sup>	✓	✓	✓	✓
0/600 psi	0/42 kg/cm <sup>2</sup>	✓	✓	✓	✓
0/1000 psi	0/70 kg/cm <sup>2</sup>	✓	✓	✓	✓
0/1500 psi	0/100 kg/cm <sup>2</sup>	✓	✓	✓	✓
0/2300 psi	0/160 kg/cm <sup>2</sup>	✓	✓	✓	✓
0/3000 psi	0/200 kg/cm <sup>2</sup>	✓	✓	✓	✓
0/4000 psi	0/280 kg/cm <sup>2</sup>	✓	✓	✓	✓
0/5000 psi	0/350 kg/cm <sup>2</sup>	✓	✓	✓	✓
0/6000 psi	0/400 kg/cm <sup>2</sup>	✓	✓	✓	✓
0/10000 psi	0/700 kg/cm <sup>2</sup>	×	✓	✓	✓
0/15000 psi	0/1000 kg/cm <sup>2</sup>	×	×	✓	✓
- 30inHg /30	- 1/2 kg/cm <sup>2</sup>	×	✓	✓	✓
- 30inHg /60	- 1/4 kg/cm <sup>2</sup>	×	✓	✓	✓
- 30inHg /100	- 1/7 kg/cm <sup>2</sup>	×	✓	✓	✓
- 30inHg /150	- 1/10 kg/cm <sup>2</sup>	×	✓	✓	✓
- 30inHg /200	- 1/14 kg/cm <sup>2</sup>	×	✓	✓	✓
- 30inHg /300	- 1/21 kg/cm <sup>2</sup>	×	✓	✓	✓

### Ammonia with temperature scale

- 30" Hg / 150 psi		×	×	✓	✓
- 30" Hg / 300 psi		×	×	✓	✓
0/300 psi		×	×	✓	✓
-112.5 kg/cm <sup>2</sup>		×	×	✓	✓
-1/16 kg/cm <sup>2</sup>		×	×	✓	✓
-1/25 kg/cm <sup>2</sup>		×	×	✓	✓

### Accessories (refer datasheet for complete specifications)

<b>GC</b> Gauge cock	<b>SN</b> Snubber
<b>GS</b> Overload protector (gauge saver)**	<b>SP</b> Siphon
<b>*</b> Needle valve	<b>CT</b> Cooling tower

\* Refer catalogue for Valves & Manifolds

\*\* For Pressure Ranges Only.

## How To Order Example

Basic Model						WPT
Code						
Nominal Size		15	20	25	30	XX
		40 mm	50 mm	63 mm	80 mm	
Type of Mounting						
1	Wall/ surface/ projection mounting with bottom entry	×	×	✓	✓	
2	Direct bottom entry	✓	✓	✓	✓	
3	Direct lower back entry	×	×	✓	×	X
4	Direct center back entry	✓	✓	✓	✓	OR
5	Lower back entry with front flange	×	×	✓	×	XX
12	Center back entry with front flange	×	✓	✓	×	
13	Center back entry with mounting bracket *	✓	✓	✓	×	
16	Center Back Entry With Front Flange & Bracket	×	✓	✓	×	

Note : \*Applicable for Crimped type Bezel Design only.

Gauge Connection		Nominal Size >	15	20	25	30	
1BM	1/8" BSP (M)		✓	✓	✓	×	
1NM	1/8" NPT (M)		✓	✓	✓	×	
1TM	1/8" BSPT (M)		✓	✓	✓	×	
2BM	1/4" BSP (M)		×	✓	✓	×	XXX
2NM	1/4" NPT (M)		×	✓	✓	×	
2TM	1/4" BSPT (M)		×	✓	✓	×	
3BM	3/8" BSP (M)		×	×	×	✓	
3NM	3/8" NPT (M)		×	×	×	✓	
3TM	3/8" BSPT (M)		×	×	×	✓	
4BM	1/2" BSP (M)		×	×	×	×	
4NM	1/2" NPT (M)		×	×	×	×	
4TM	1/2" BSPT (M)		×	×	×	×	
8MM	M11 x 1.25mm Pitch Flare Connection		×	×	✓	×	

\* These connections will be provided on request. Consult factory for minimum order quantity, price & delivery.

Range		0/10 kg/cm <sup>2</sup>
Refer range table		

Optional Extras		
<b>CDD</b> Custom designed dial	<b>STP</b> SS tag plate	
<b>OXS</b> Oxygen service (for dry version)	<b>HLT</b> Helium leak test	
<b>CBS</b> AISI 316 SS case & bezel *	<b>DSS</b> Integral dampening screw (AISI 316 SS)	
<b>DFG</b> Dry but Field Fallible liquid glycerine	<b>MRP</b> Maximum reading pointer with plexi glass*	
<b>DFS</b> Dry but Field Fallible liquid silicon oil ***	<b>STG</b> Shatterproof / safety glass (for bayonet type design) * #	XXX
<b>LGF</b> Dampening liquid glycerine filled ##	<b>TDG</b> Toughened glass (for bayonet type design) * #	
<b>LSI</b> Dampening liquid silicon oil filled ***	<b>MDJ</b> Movement with dampening jelly * #	
<b>MTC</b> Material test certificates ****	<b>AMO</b> Ammonia range (with temperature scale) * #	
<b>TRC</b> Calibration certificate traceable to National / International standards	<b>SAB</b> Snap Action Bayonet Type Case & Bezel #	

\* Applicable for NS 63 mm

\*\*\* Gasket & Filling Plug of Viton.

## Applicable for NS 50mm, 63mm & 80mm.

# Applicable for NS 63 mm & 80 mm.

\*\*\*\* Material test certificates will be provided for wetted parts only with chemical composition testing.  
For others, please consult factory.

## Ordering Example: WPT - XX - X OR XX - XXX - 0/10 kg/cm<sup>2</sup> - XXX

For other optional items, please contact factory for delivery and minimum quantity of order.

Note : Specifications and dimensions given in this product catalogue represents the state of engineering at the time of printing.

Modifications may take place and materials specified may be replaced by others without prior notice.