



Bottom Surface Mounting



Back Connection With Bracket



Back Panel Mounting



Bottom Direct Mounting

Special Features

- Economical version
- General purpose application

Application

- HVAC
- Filter-Regulator-Lubricator (FRL) Units
- Water
- Air
- Allied process industries
- Hydraulic
- Pneumatics
- Valve positioner
- Sugar mills
- Irrigation Equipment

Specifications

Standard Version : 40 mm, 50 mm, 63 mm, 80 mm, 100 mm, 150 mm, 200mm & 250 mm

Accuracy	:	±1.6% of F.S. (For NS 63 mm, 80 mm, 100 mm, 150 mm, 200mm & 250 mm)
	:	±2.5% of F. S. (For NS 40 mm & 50 mm)
Ambient temperature	:	- 20°C to + 65°C
Process temperature	:	Max. 100°C
Operating pressure range	:	75% of Scale Value
Over pressure limit	:	≤ 100 bar : 125% of Max. Scale Value
	:	> 100 to ≤ 600 bar : 115% of Max. Scale Value
	:	> 600 to ≤ 1600 bar : 110% of Max. Scale Value

Case & Bezel	:	Steel, Powder coated / painted (Push Fit Type Bezel) for Dial Size 40 to 200mm Steel, Powder coated / painted (Snap Action Bayonet) for Dial Size 250mm
Bourdon	:	Copper Alloy for Range upto 600 PSI Stainless Steel for Range Above 600 PSI
Socket	:	Copper Alloy for Dial Size 40 to 150mm Stainless Steel for Dial Size 200 & 250mm
Movement	:	Copper Alloy
Joints	:	Soldering for Copper Alloy & Silver brazing for SS With Copper Alloy Argon Tig Welding for SS to SS Material

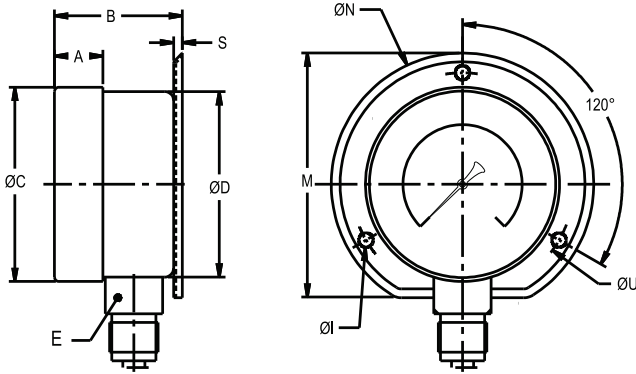
Dial	:	Aluminium, black graduation on white background
Pointer	:	Black coloured, fixed
Window	:	Sheet Glass & Poly carbonate Push Fit for NS 40 to 63mm BACK Connection

Temperature effect :

The variation of indication caused by effects of temperature is to be calculated by below formula; which is to be added in the specified accuracy while measurement :- Formula : $\pm 0.04 \times (t_2 - t_1) \% \text{ of F. S.}$
where t_1 = reference temperature (+20°C) and t_2 = ambient temperature in °C.

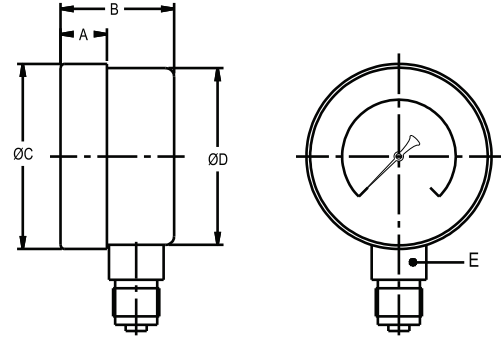
Dimensions - Standard Version

TYPE - 1



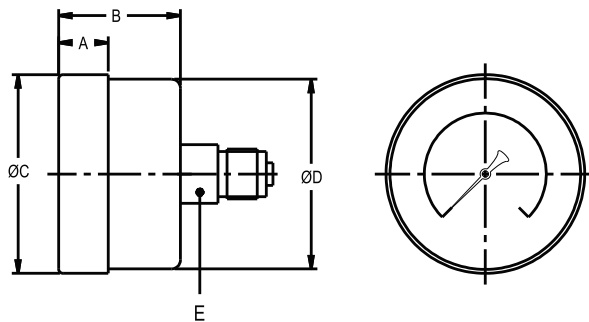
NS	A	B	ØC	ØD	E	M	S	ØN	ØU	ØI	Weight in gram (With Box)
80	13	31	80	78	17	90	4	110	95	5	250.0
100	13	39	100	98	17	124	5	134	117	6	405.0
150	16	43.5	153	152	17	183	6	198	168	-	730.0
200	24	58	204	202	22	229	7	245	230	-	1800.0
250	19	60	261	247	22	286	7	288	263	-	2300.0

TYPE - 2



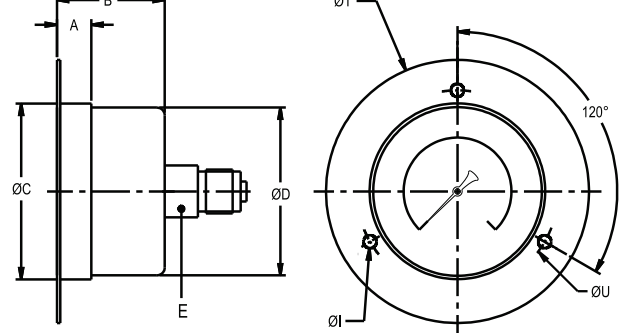
NS	A	B	ØC	ØD	E	Weight in gram (With Box)
40	-	25	42	41.5	12	82.0
50	10	30	53	51.5	14	101.0
63	11	30	63	61	14	120.0
80	13	35	80	78	17	195.0
100	13	35	100	98	17	343.0
150	16	42	153	152	17	695.0
200	24	53	204	202	22	1700.0
250	19	51	261	247	22	2100.0

TYPE - 4



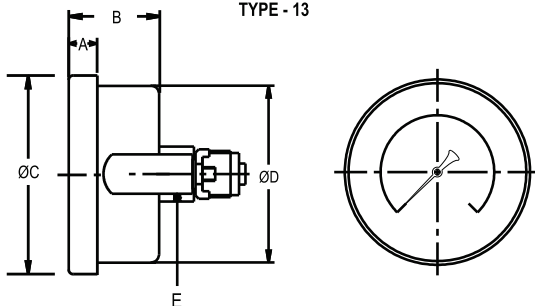
NS	A	B	ØC	ØD	E	Weight in gram (With Box)
40	-	25	42	41.5	11	69.0
50	10	30	53	51.5	14	148.0
63	11	30	63	61	14	174.0
80	13	35	80	78	17	190.0
100	13	35	100	98	17	343.0

TYPE - 12



NS	A	B	ØC	ØD	E	ØT	ØU	ØI	Weight in gram (With Box)
50	-	26	52	52	12	77	60	4	175.0
63	-	26	62	62	14	87	70	4	210.0
100	14	35	100	98	17	134	117	4	445.0

TYPE - 13



NS	A	B	ØC	ØD	E	Weight in gram (With Box)
40	5	25	49	41.5	12	80.0
50	6	31	58	51.5	14	210.0
63	7	31	69	62.5	14	240.0

Notes : • Drawings are not to scale. • All Dimensions are in mm. • NS = Nominal Size.

Range Table

Note : We offer National / International Scales like kPa, MPa, bar, psi, kg/cm² & Dual Scale like kPa with psi, kPa with bar, bar with psi or Equivalent scales as per the requirement can be provided on request. Following are the example tables for kg/cm² & psi scales.

Pressure

Single Scale (kg/cm² or bar)

0/0.6	0/4	0/25	0/160
0/1	0/6	0/40	0/250
0/1.6	0/10	0/60	0/400
0/2.5	0/16	0/100	0/600

Dual Scale (psi with kg/cm²)

psi	kg/cm ²	psi	kg/cm ²	psi	kg/cm ²
0/15	0/1	0/400	0/28	0/4000	0/280
0/30	0/2	0/500	0/35	0/5000	0/350
0/60	0/4	0/600	0/40	0/6000	0/420
0/100	0/7	0/1000	0/70	0/10000	0/700
0/150	0/10	0/1500	0/100		
0/230	0/16	0/2300	0/160		
0/300	0/20	0/3000	0/200		

Vacuum & Compound

Dual Scale (inHg with psi & mmHg with kg/cm²)

inHg with psi	mmHg with kg/cm ²	inHg with psi	mmHg with kg/cm ²	inHg with psi	mmHg with kg/cm ²
- 30/0	- 760/0	- 30/60	- 760/4	- 30/200	- 760/14
- 30/15	- 760/1	- 30/100	- 760/7	- 30/300	- 760/21
- 30/30	- 760/2	- 30/150	- 760/10	- 30/350	- 760/25

Single Scale (kg/cm²)

- 1/0	- 1/1.5	- 1/5	- 1/15
- 1/0.6	- 1/3	- 1/9	- 1/24

Freon (with temperature scale)

Ammonia (with temperature scale)

Note : For temperature scales, please provide refrigerant name.

Range (psi)		(kg/cm ²)	(psi)
-30 inHg - 150	0-300	-1to12.5	-30 inHg - 150
-30 inHg - 300	0-500	-1to16	-30 inHg - 300
		-1to25	0 - 300

Accessories (refer datasheet for complete specifications)

CT Cooling tower	GS Over load protector (gauge saver)**	SN Snubber
GC Gauge cock	* Needle valve	SP Siphon

* Refer catalogue for Valves & Manifolds.

** For Pressure Ranges.

Note : For Any Non Standard or Special Scale Marking Consult Factory

How To Order Example

Basic Model										UT
Code										
Nominal Size (mm)	15	20	25	30	40	60	80	100		
	40 mm	50 mm	63 mm	80 mm	100 mm	150 mm	200 mm	250 mm		XX
Type of Mounting										X OR XX
1	Wall/ surface/ projection mounting With bottom entry	×	×	×	✓	✓	✓	✓	✓	
2	Direct bottom entry	✓	✓	✓	✓	✓	✓	✓	✓	
4	Direct center back entry	✓	✓	✓	✓	✓	×	×	×	
12	Center back entry with front flange	×	✓	✓	×	✓	×	×	×	
13	Center back entry with mounting bracket	✓*	✓*	✓*	×	×	×	×	×	

Note : * These gauges will have crimped bezel / ring.

Code	Gauge Connection	15	20	25	30	40	60	80	100	
1BM	1/8" BSP(M)	✓	✓	✓	×	×	×	×	×	XXX
1NM	1/8" NPT(M)	✓	✓	✓	×	×	×	×	×	
1TM	1/8" BSPT(M)	✓	✓	✓	×	×	×	×	×	
2BM	1/4" BSP(M)	×	✓	✓	✓	✓	×	×	×	
2NM	1/4" NPT(M)	×	✓	✓	✓	×	×	×	×	
2TM	1/4" BSPT(M)	×	✓	✓	✓	×	×	×	×	
3BM	3/8" BSP(M)	×	×	×	✓	✓	✓	✓	✓	
3NM	3/8" NPT(M)	×	×	×	×	✓	✓	✓	✓	
3TM	3/8" BSPT(M)	×	×	×	×	✓	×	✓	✓	
4BM	1/2" BSP(M)	×	×	×	×	×	×	✓	✓	
4NM	1/2" NPT(M)	×	×	×	×	×	×	✓	✓	
4TM	1/2" BSPT(M)	×	×	×	×	×	×	✓	✓	
4MM	M20 X 1.5(M)	×	×	×	×	×	×	✓	✓	

Range 0/10
Refer range table kg/cm²

Optional Extras		
OXS Oxygen service (for dry version)	FRE Freon range (with temperature scale)	XX
CDD Custom designed dial	AMO Ammonia range (with temperature scale) (Bourdon Tube & Socket SS 316)	
FPC Five Point Calibration certificate	SCP SS 304 Case With PC Window	
SCB SS 304 Crimped Bezel (if Mounting Type 13 Selected)	ISS Internal Parts SS (Bourdon Tube SS 316 & Socket SS 304)	
	SCS SS 304 Case With Press Fit SS Bezel	

Ordering Example: UT . XX or XXX . XXX . 0/10 kg/cm² . XX

For other optional items, please contact factory for delivery and minimum quantity of order.

Note : Specifications and dimensions given in this product catalogue represents the state of engineering at the time of printing.
Modifications may take place and materials specified may be replaced by others without prior notice.