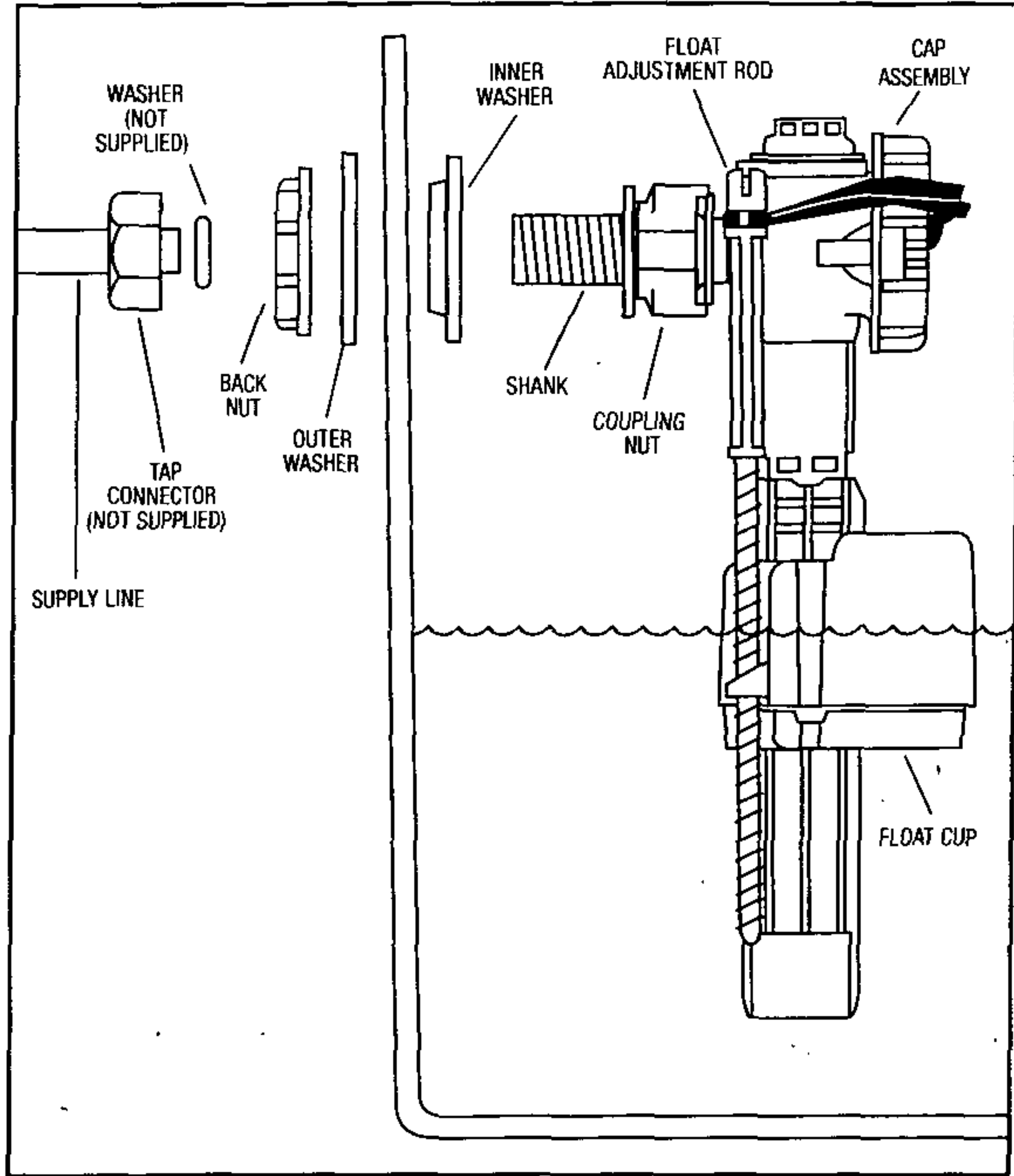


TO GET THE BEST RESULTS FROM YOUR FLUIDMASTER VALVE, PLEASE READ THESE INSTRUCTIONS CAREFULLY.



FLUIDMASTER 747UK SIDE INLET FLOAT VALVE INSTALLATION INSTRUCTIONS FOR TOILET CISTERN OR STORAGE TANK

85797

NOTE: SAVE INSTRUCTION SHEET FOR FUTURE REFERENCE CONCERNING THIS VALVE'S OPERATION AND MAINTENANCE.

WARNING: Fluidmaster shall not be responsible or liable for any failure of, or damage to, this plumbing product caused by use of chlorine (bleach) cleaners or related products added to the tank water. Use of such products will void the warranty and may result in product failure, possibly causing property damage. Do not overtighten plastic nuts.

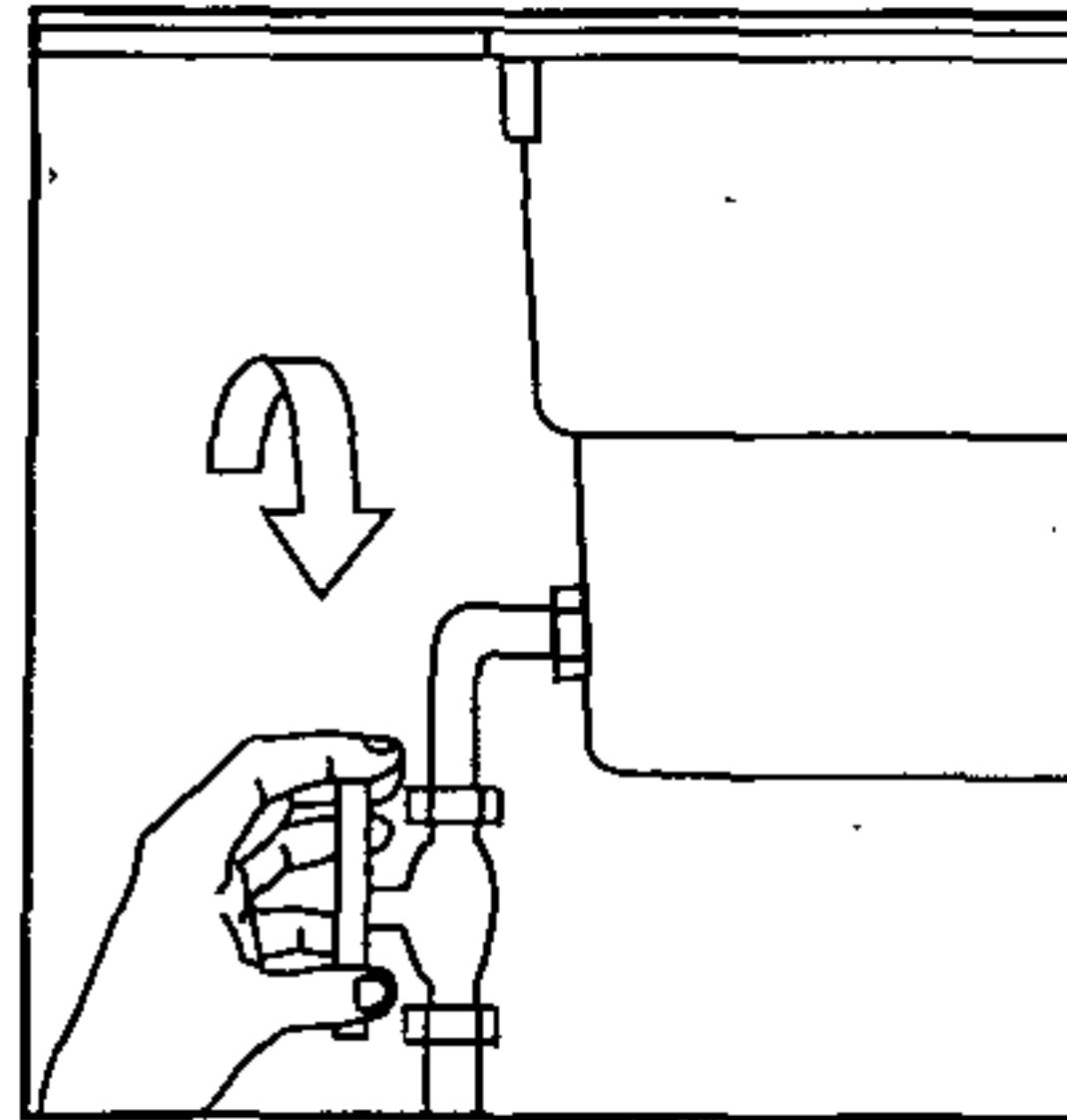
IMPORTANT: DO NOT USE PLUMBER'S PUTTY TO SEAL THIS FITTING



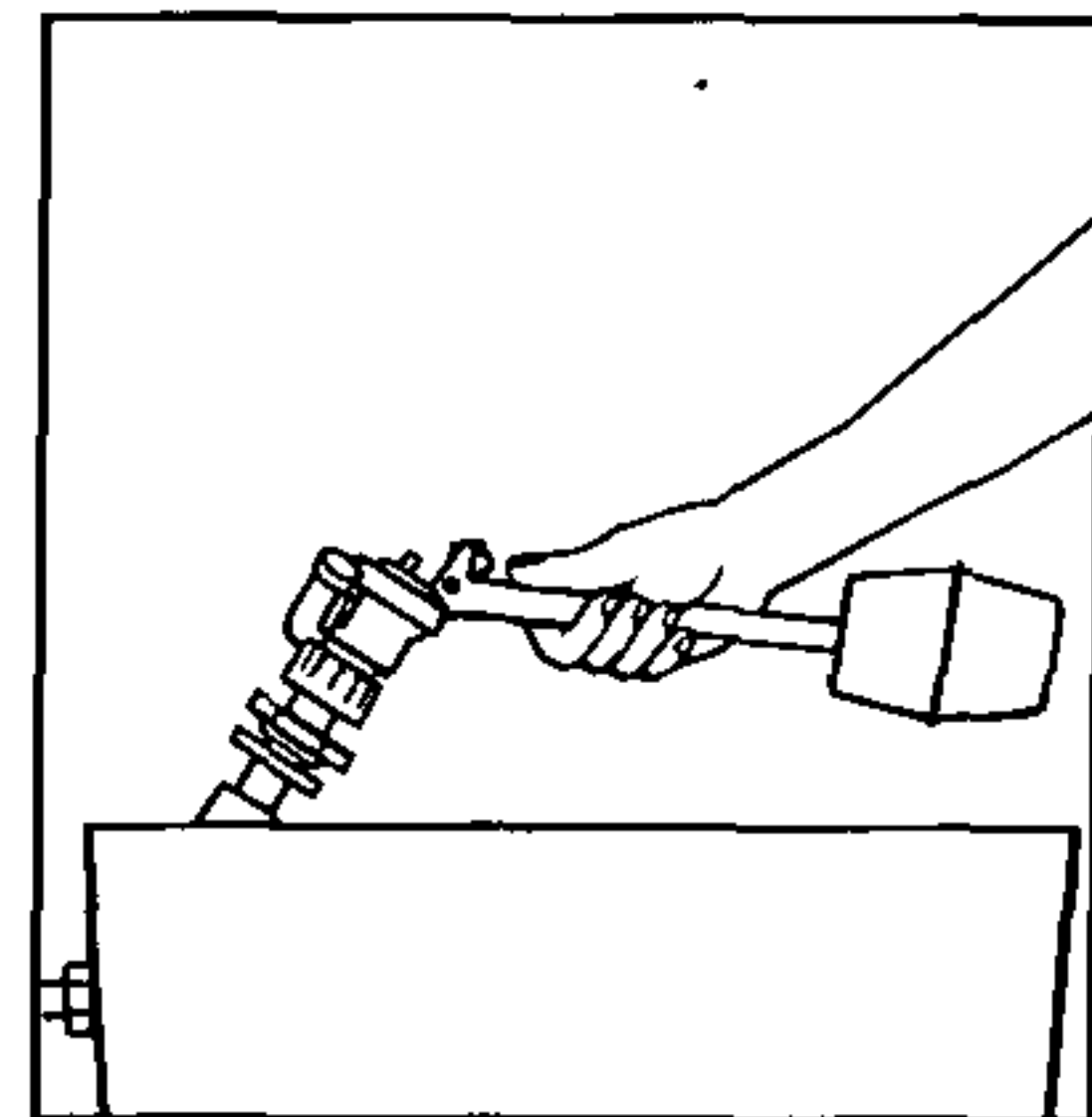
For more information in the U.K. contact:

CMI DISTRIBUTION LIMITED
One Harbour Road
Portishead
Bristol BS20 7BL
TEL: (0) 1275 84 88 43
FAX: (0) 1275 81 74 37
EMAIL: sales@cmi-international.net

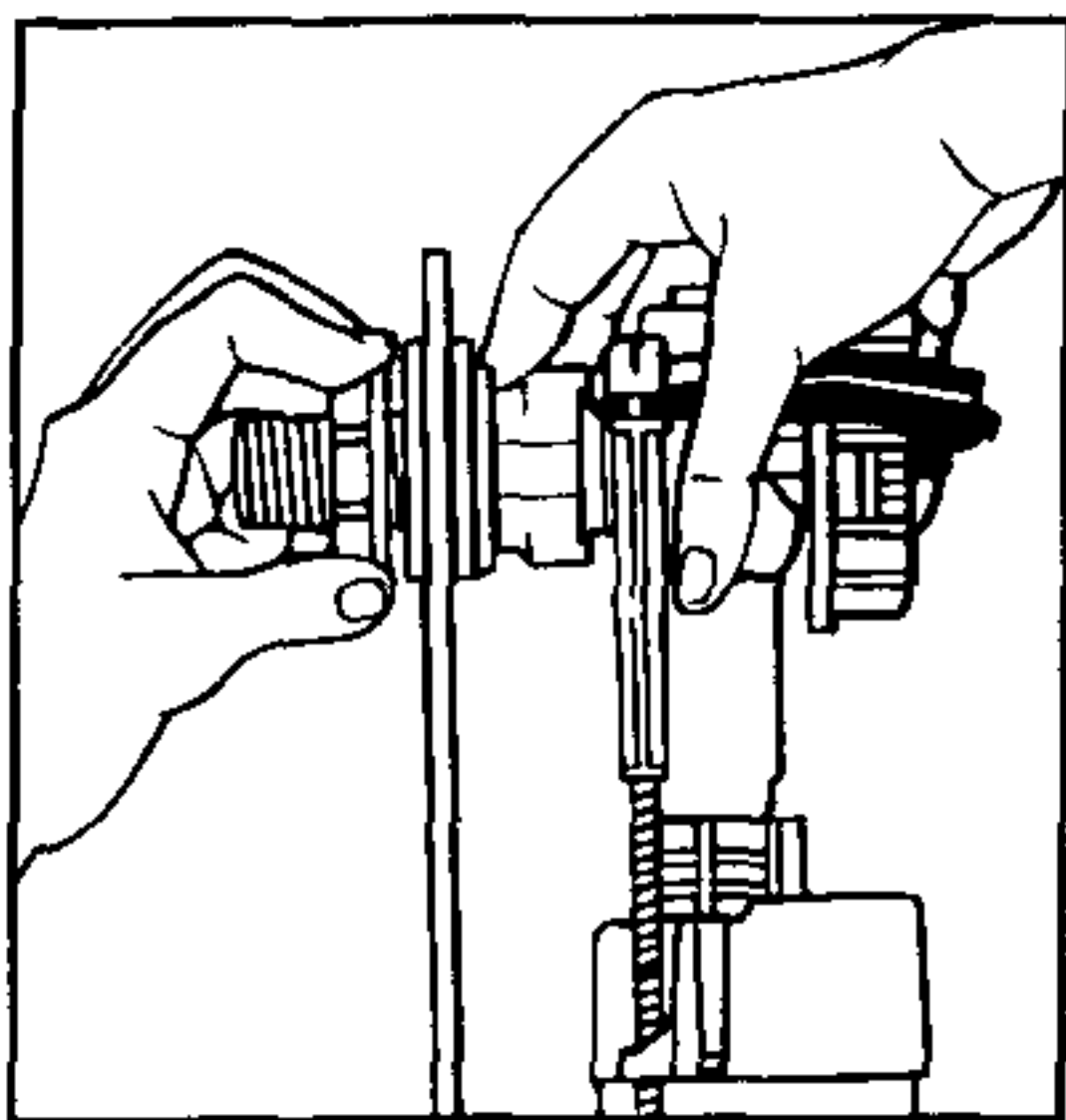
U.S. Patent No. 6,354,326 B1.
Other U.S. and Foreign Patents Pending.



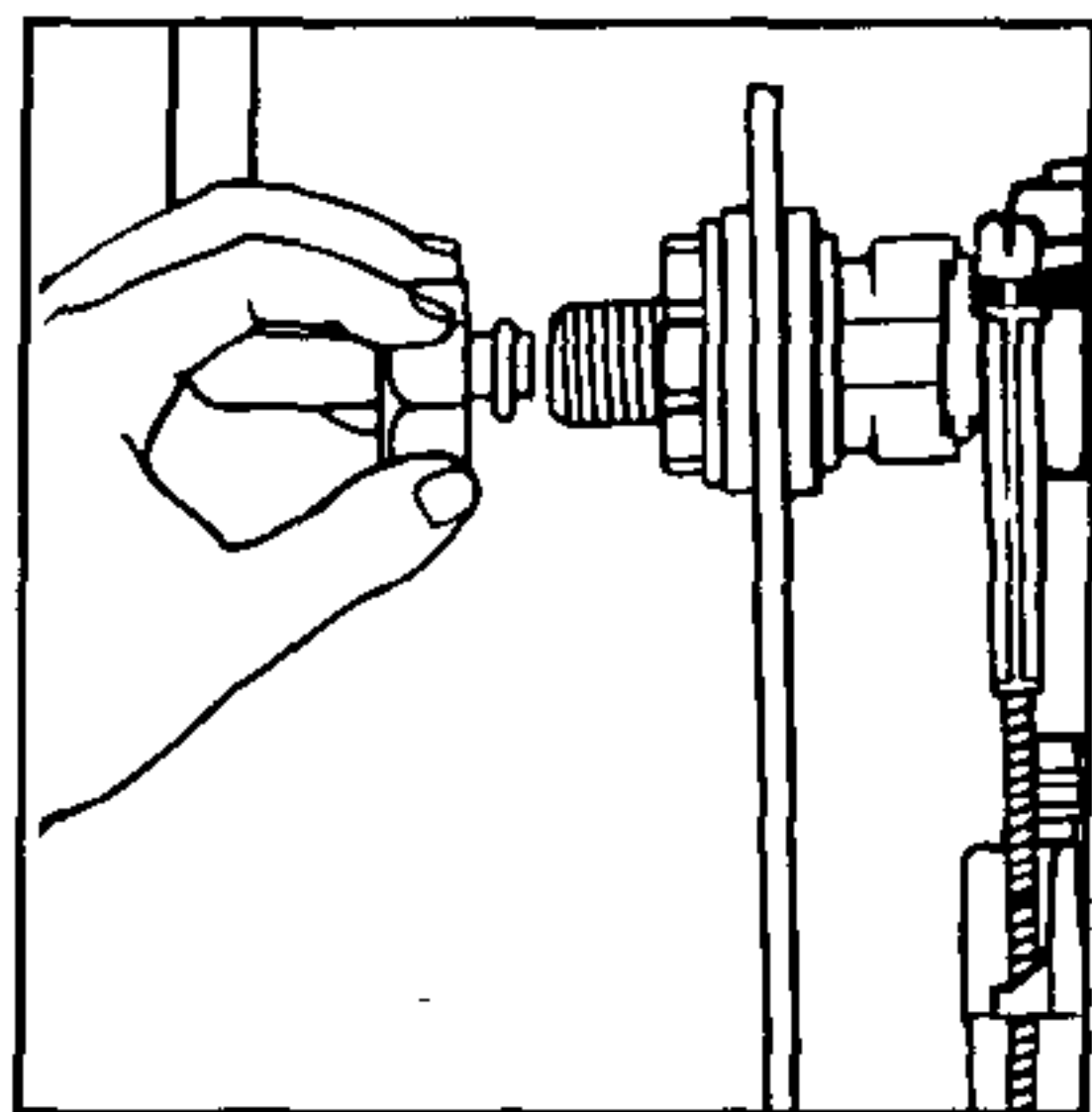
1. Turn off water supply.



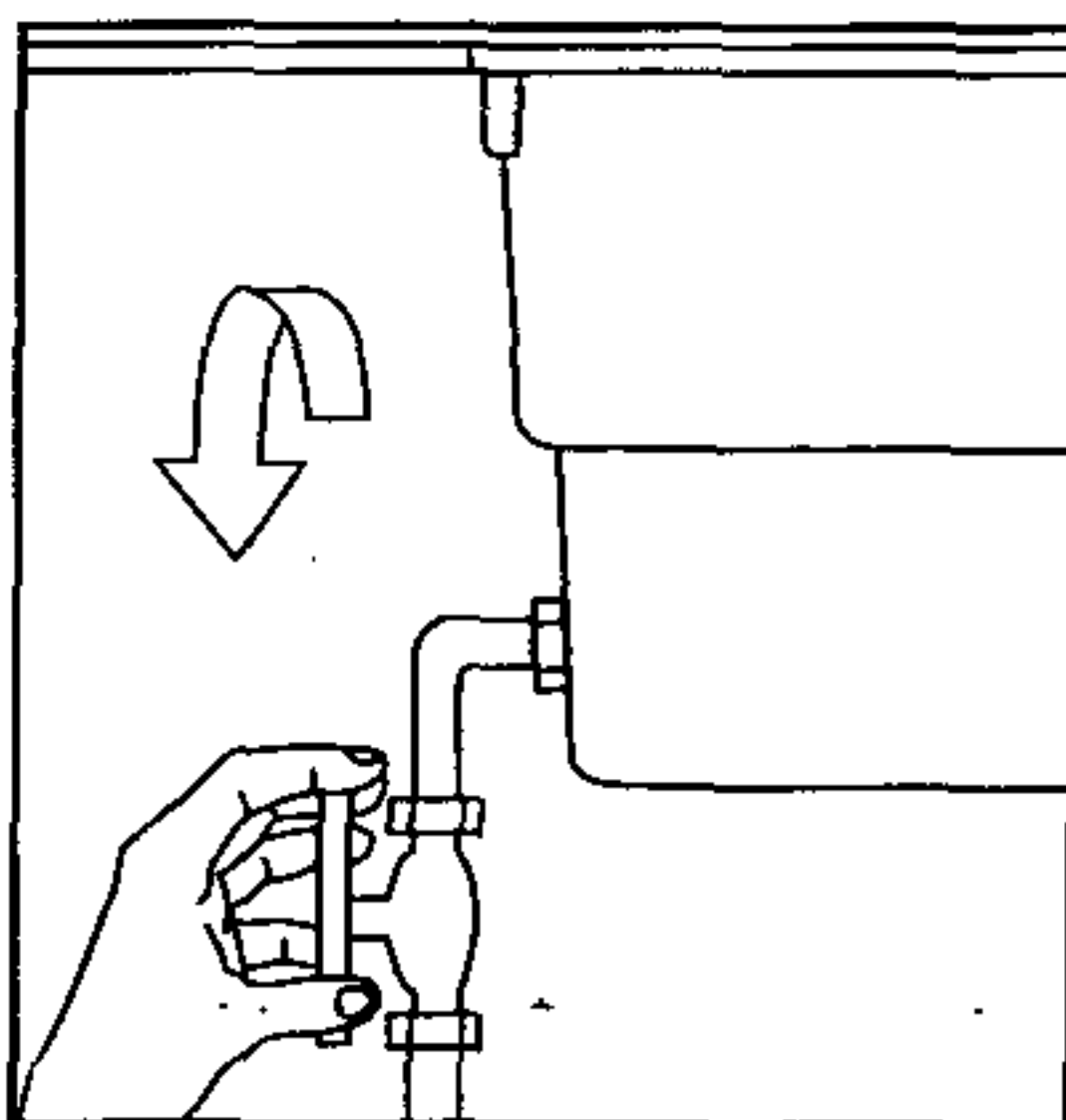
2. Disconnect pipe work and remove old valve.



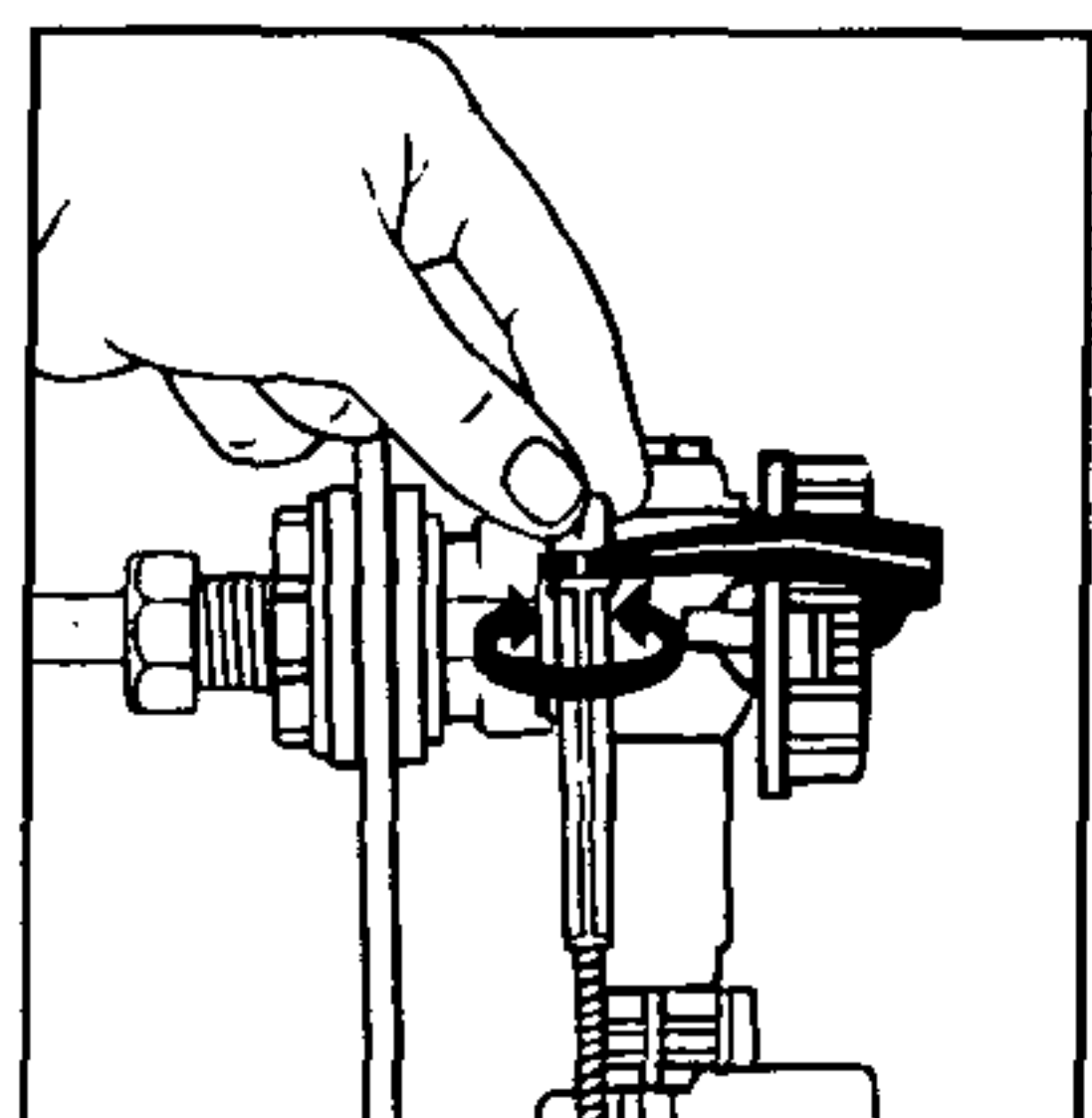
3. Place inner washer onto threaded shank then install new valve through cistern or tank hole. Place outer washer onto shank outside cistern or tank then thread back nut onto threaded shank to enable tap connector to fit neatly to avoid cross threading.



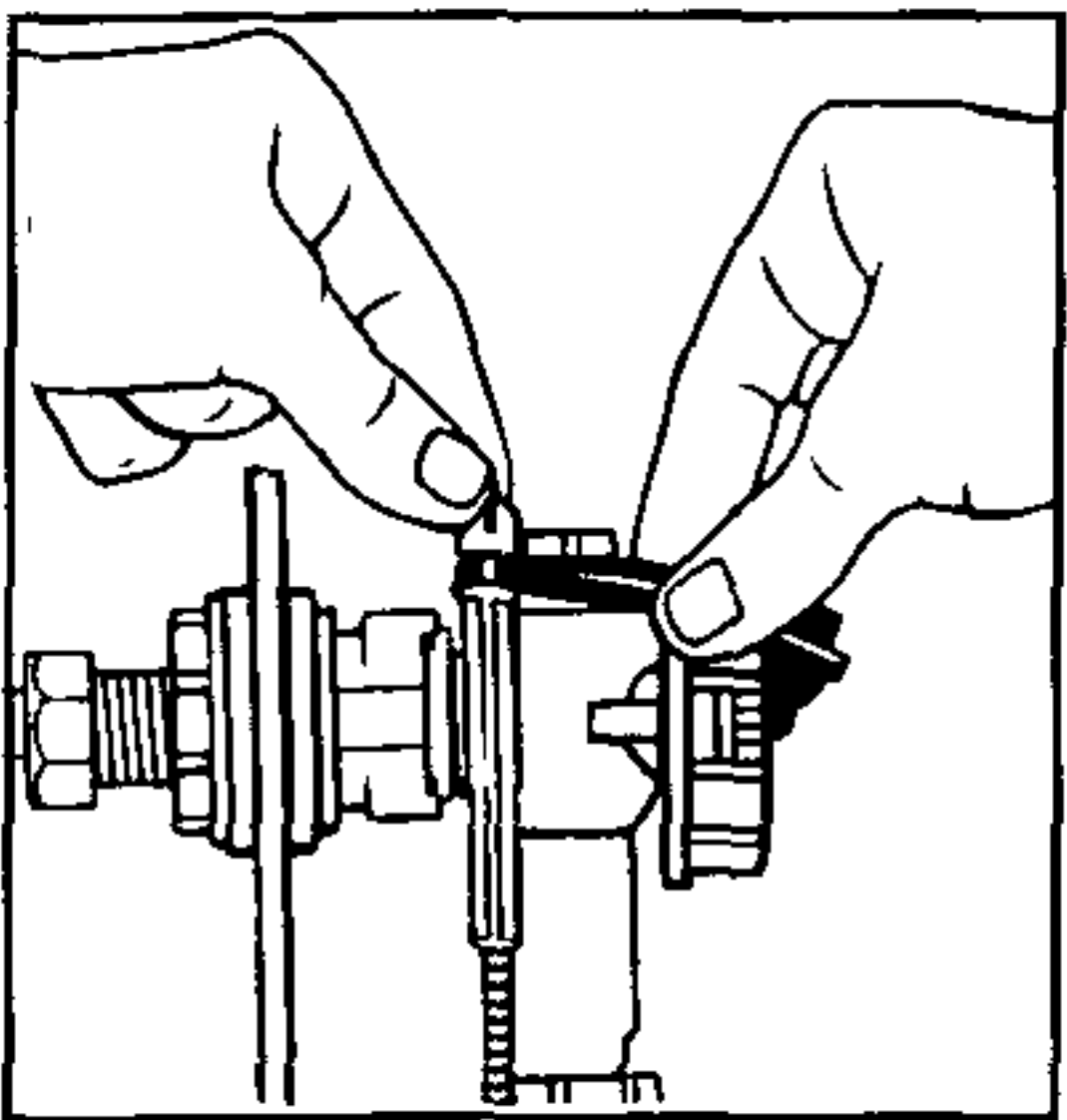
4. When position is correct, before tightening back nut, reconnect water supply to valve, making sure washer is seated correctly. Tighten tap connector 1/4 turn past hand tight with spanner (DO NOT OVERTIGHTEN). Now tighten back nut with spanner 1/4 turn past hand tight (DO NOT OVERTIGHTEN).



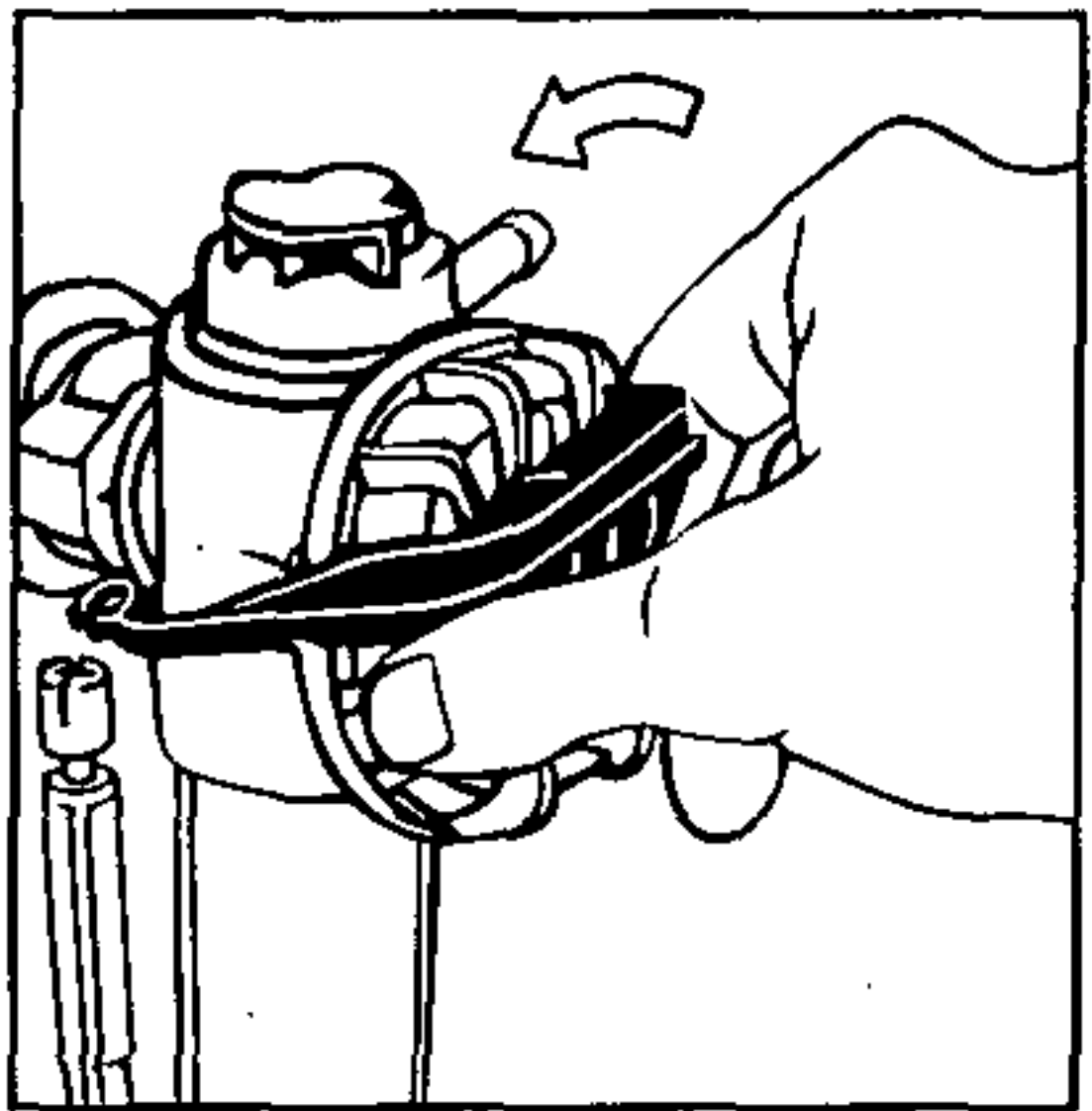
5. Turn on water supply.



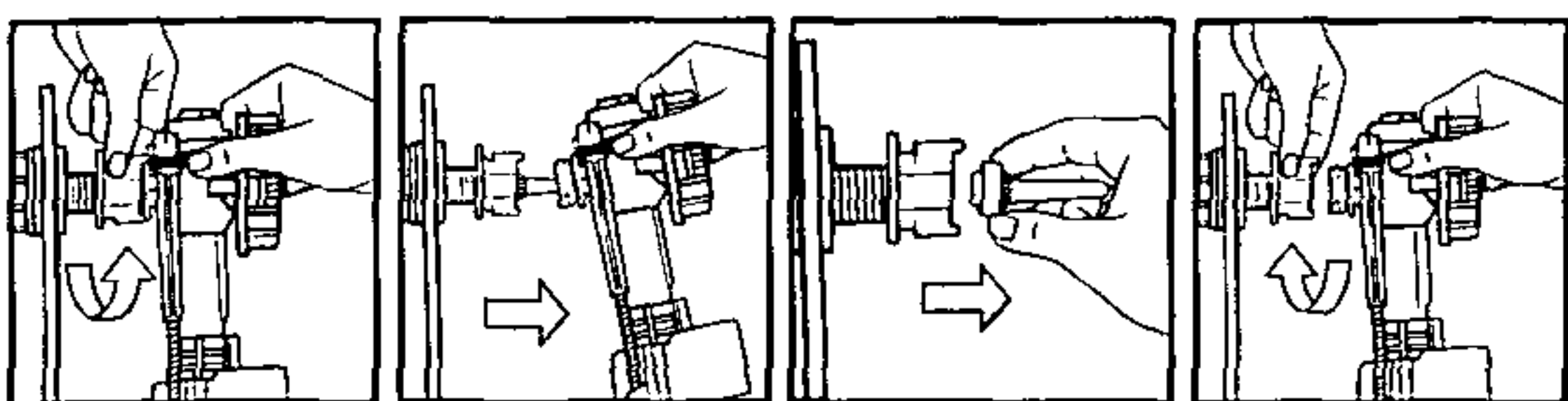
6. Adjust float until water level is as marked on inside of cistern or tank. If overflow pipe is at same level as supply line, adjust water level to approximately 25mm (1 inch) below overflow pipe. Turn float adjustment rod clockwise to raise and anti-clockwise to lower water level.



7. IMPORTANT: ALWAYS CLEAR ANY DEBRIS FROM WATER LINE TO COMPLETE INSTALLATION. Shut off water supply to toilet cistern or tank, unsnap float adjustment rod from arm, then remove cap assembly by rotating 1/8 turn anti-clockwise and pulling out. Hold hand over opening, turn water supply on and off to clear out debris that may be in supply line. Turn off water supply and replace cap assembly by engaging lugs and rotating 1/8 turn clockwise to stop. Make certain cap assembly and valve body are in locked position or valve may fail to turn on. Then snap float adjustment rod back on to the arm. Turn on water supply.

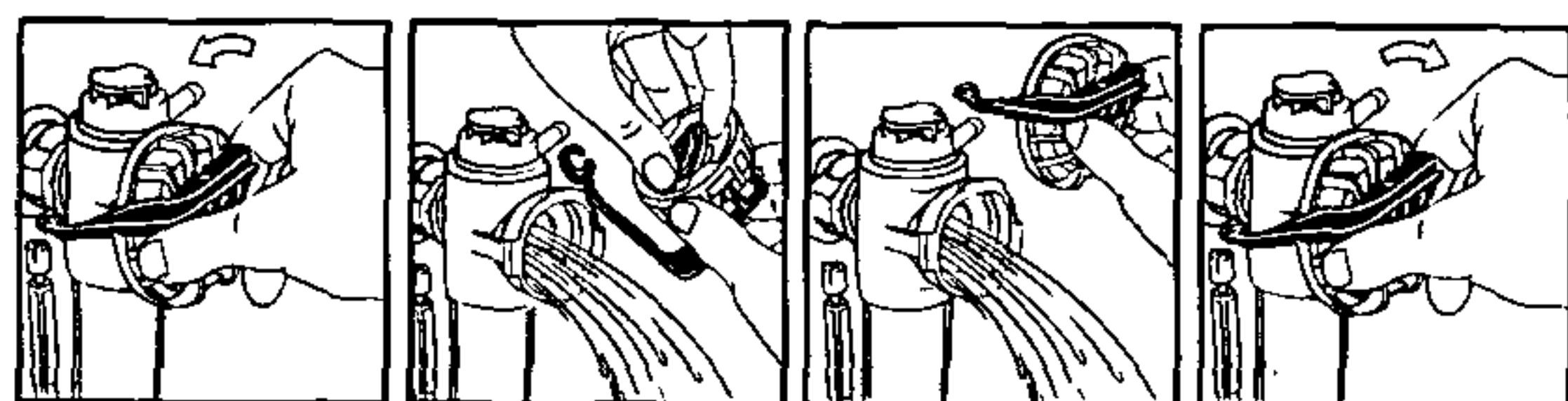


LOW PRESSURE APPLICATION: If it takes longer than 4 minutes to refill your cistern, you can increase the flow of water by removing the flow restrictor. IMPORTANT: Always clear any debris from water line before installation.



1. Turn off water supply and loosen coupling nut by rotating 1/8 turn until you hear a click.
2. Pull valve away from shank.
3. Remove flow restrictor located inside the shank.
4. Position valve onto shank, line up lugs and tighten coupling nut by rotating 1/8 turn until you hear a click. Turn on water supply.

TROUBLESHOOTING - SEAL REPLACEMENT. If valve won't turn on or shut off or refill of cistern water is slow after valve has been in use for some time, a replacement seal may be needed. Ask your dealer for Model 242MP071 and install as follows:



1. Turn off water, flush toilet. Unsnap float rod. Push in on side and remove assembly.
2. Remove seal, **do not bend stainless steel stem.** Replace seal, flat side up.
3. Hold hand over opening, turn water on and off to clear debris.
4. Engage lugs, be sure assembly is fully turned to stop and in locked position. Resnap float rod. Turn on water.

