

art. **50**

VALVOLA A SFERA "PONY",  
PASSAGGIO RIDOTTO, F.F. DA 1/2" A 4"

"PONY" REDUCED BORE BALL VALVE F.F. FROM 1/2" TO 4"



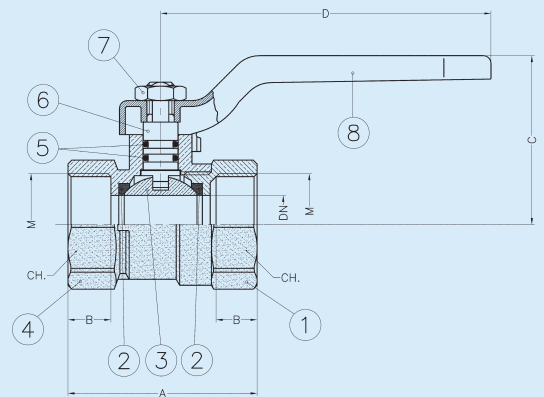
| CODE   | M      | DN | A   | B  | C   | D   | CH  | PN<br>BAR | PN<br>psi | MASTER<br>pcs |
|--------|--------|----|-----|----|-----|-----|-----|-----------|-----------|---------------|
| 050013 | 1/2"   | 10 | 43  | 11 | 39  | 84  | 25  | 30        | 430       | 250           |
| 050003 | 1/2"   | 12 | 46  | 11 | 43  | 84  | 25  | 30        | 430       | 250           |
| 050004 | 3/4"   | 15 | 49  | 11 | 43  | 84  | 31  | 30        | 430       | 200           |
| 050005 | 1"     | 20 | 60  | 14 | 52  | 110 | 38  | 30        | 430       | 96            |
| 050006 | 1 1/4" | 25 | 68  | 15 | 57  | 110 | 48  | 25        | 360       | 80            |
| 050007 | 1 1/2" | 32 | 80  | 17 | 72  | 140 | 54  | 25        | 360       | 50            |
| 050008 | 2"     | 40 | 94  | 19 | 79  | 140 | 67  | 25        | 360       | 30            |
| 050009 | 2 1/2" | 50 | 115 | 23 | 88  | 170 | 84  | 12        | 170       | 20            |
| 050010 | 3"     | 63 | 134 | 24 | 125 | 240 | 97  | 12        | 170       | 12            |
| 050011 | 4"     | 76 | 152 | 25 | 135 | 240 | 122 | 12        | 170       | 8             |

**MATERIALI:**

1. Manicotto: OTTONE CW617N
2. Guarnizione sfera: P.T.F.E.
3. Sfera: OTTONE STAMPATO CW617N
4. Corpo: OTTONE STAMPATO CW617N
5. Guarnizione asta: OR NBR 70
6. Asta comando: OTTONE CW614N
7. Dado: ACCIAIO ZINCATO
8. Maniglia: ACCIAIO VERNICIATO

**MATERIALS:**

1. Coupling: BRASS CW617N
2. Ball seal: P.T.F.E.
3. Ball: HOT PRESSED BRASS CW617N
4. Body: HOT PRESSED BRASS CW617N
5. Stem seal: O-RING NBR 70
6. Stem: BRASS CW614N
7. Nut: ZINC PLATED STEEL
8. Handle: VARNISHED STEEL



art. **51**

VALVOLA A SFERA "PONY",  
PASSAGGIO RIDOTTO, M.F. DA 1/2" A 1"

"PONY" REDUCED BORE BALL VALVE M.F. FROM 1/2" TO 1"



| CODE   | M    | DN | A    | B  | C  | D   | CH | PN<br>BAR | PN<br>psi | MASTER<br>pcs |
|--------|------|----|------|----|----|-----|----|-----------|-----------|---------------|
| 051003 | 1/2" | 12 | 51.5 | 11 | 43 | 84  | 25 | 30        | 430       | 250           |
| 051004 | 3/4" | 15 | 54   | 11 | 43 | 84  | 31 | 30        | 430       | 200           |
| 051005 | 1"   | 20 | 65   | 14 | 52 | 110 | 38 | 30        | 430       | 96            |

**MATERIALI:**

1. Manicotto: OTTONE CW617N
2. Guarnizione sfera: P.T.F.E.
3. Sfera: OTTONE STAMPATO CW617N
4. Corpo: OTTONE STAMPATO CW617N
5. Guarnizione asta: OR NBR 70
6. Asta comando: OTTONE CW614N
7. Dado: ACCIAIO ZINCATO
8. Maniglia: ACCIAIO VERNICIATO

**MATERIALS:**

1. Coupling: BRASS CW617N
2. Ball seal: P.T.F.E.
3. Ball: HOT PRESSED BRASS CW617N
4. Body: HOT PRESSED BRASS CW617N
5. Stem seal: O-RING NBR 70
6. Stem: BRASS CW614N
7. Nut: ZINC PLATED STEEL
8. Handle: VARNISHED STEEL

