

For Residential and Commercial Applications

Job Name _____

Contractor _____

Job Location _____

Approval _____

Engineer _____

Contractor's P.O. No. _____

Approval _____

Representative _____

LEAD FREE

Series LFX65B

Water Pressure Reducing Valves**

Sizes: 1/2" - 2" (15 - 50mm)

Series LFX65B Water Pressure Reducing Valves are designed to reduce incoming water pressure to a sensible level to protect plumbing system components and reduce water consumption.

The LFX65B features Lead Free* construction to comply with Lead Free* installation requirements.

The LFX65B is a cartridge style regulator and is orderable three ways: As a complete, ready-to-install regulator, or as a separate Rough-in Kit consisting of a Lead Free* cast copper silicon alloy body with integral strainer, or as a separate Cartridge Assembly.

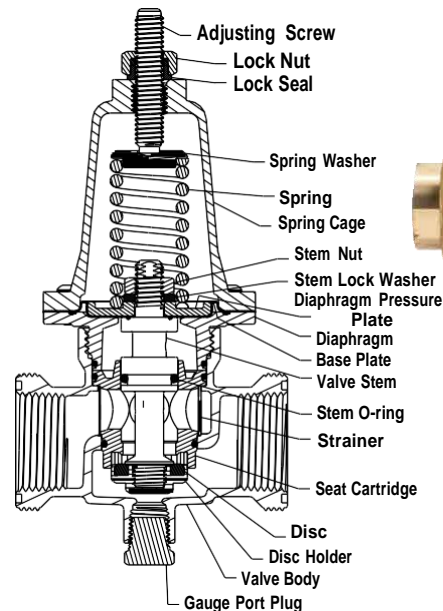
The LFX65B delivers superior flow performance with low fall off pressure while reducing flow noise with its engineered seat design. The LFX65B is a 100 percent balanced valve, as inlet pressures fluctuate, reduced pressure does not.

The LFX65B incorporates control valve style stem and disc guidance for accuracy and longevity. It is available with interchangeable union tailpiece kits in standard-sized solder and threaded tailpieces for Quick-Connect, PEX and CPVC options. The X65B Cartridge Assemblies are available in standard pressure range of 20 - 80psi (138 - 552 kPa), preset at the factory to 50psi (345 kPa) or high-pressure range (HP) of 50 -150psi (345 - 1034 kPa) preset at the factory to 100psi (6.9 bar). The standard bypass feature*** permits the flow of water back through the valve into the main when pressures, due to thermal expansion on the outlet side of the valve, exceed the pressure in the main supply.

Features

- Cartridge Style valve enables quick and easy installation or service in-line.
- Greater flow performance with lower fall off pressure for consistent operation
- Seat design reduces flow noise
- 100% balanced valve, unique to Watts, provides reliable flow performance
- Full size range available rated to 400psi to meet your commercial and residential applications
- Cartridge Assemblies available in standard and high-pressure (HP) models
- Bypass feature in Cartridge Assembly controls thermal expansion pressure***.
- Standard construction includes sealed spring cage and corrosion resistant adjusting and cage screws for accessible outdoor or pit installations
- High performance thermoplastic integral seat cartridge
- Union connection and tailpiece kits for solder, Quick-Connect, PEX, CPVC and threaded to meet your commercial and residential applications.
- High temperature resistant reinforced diaphragm for hot water

ALL VALVES PROVIDED WITHOUT CONNECTORS. EXTRA CHARGES FOR CONNECTORS IF REQUIRED



Specifications

Standard Specifications: A Water Pressure Reducing Valve with integral strainer shall be installed in the water service pipe near its entrance to the building where supply main pressure exceeds 60psi (413 kPa) to reduce it to 50psi (345 kPa) or lower. The valve shall feature a Lead Free* cast copper silicon alloy suitable for water supply pressures up to 400psi (27.6 bar). Provision shall be made to permit the bypass flow of water back through the valve into the main when pressures, due to thermal expansion on the outlet side of the valve, exceed the pressure in the main supply. Water Pressure Reducing Valve with built-in bypass check valves and integral strainer will be acceptable. Approved valve shall be listed to ASSE 1003 and IAPMO and certified to CSA B356. Valve shall be a Watts Series LFX65B.

*The wetted surface of this product contacted by consumable water contains less than 0.25% of lead by weight.

** A water saving test program concluded that reducing the supply pressure from 80 to 50psi (551-345 kPa) resulted in a water savings of 30%.

*** The bypass feature will not prevent the pressure relief valve from opening on the hot water supply system with pressures above 150psi (10.3 bar).

Watts product specifications in U.S. customary units and metric are approximate and are provided for reference only. For precise measurements, please contact Watts Technical Service. Watts reserves the right to change or modify product design, construction, specifications, or materials without prior notice and without incurring any obligation to make such changes and modifications on Watts products previously or subsequently sold.

WATTS®

Models

LFX65B	NPT threaded female inlet x NPT female outlet
LFX65BU	NPT threaded union inlet x NPT female outlet
LFX65BUS	Solder union inlet x NPT female outlet
LFX65BDU	Double Union – NPT threaded union female inlet and outlet
LFX65BDUS	Double Union – Solder union inlet and outlet
LFX65BU-QC	Single Union – Quick-Connect union inlet x NPT female outlet*
LFX65BDU-QC	Double Union – Quick-Connect union inlet and outlet†
LFX65BDU-CPVC	Double Union - CPVC union inlet x CPVC union outlet††
LFX65BDU-PEX	Double Union - PEX union inlet x PEX union outlet†
LFX65B-HP	High Pressure – NPT threaded female inlet x NPT female outlet

*For sizes 1/2", 3/4", 1 (15, 20, 25mm) only

††For sizes 3/4", 1" (20, 25mm) only

Materials

Body:	Lead Free* cast copper silicon alloy
Seat:	Thermoplastic cartridge
Integral Strainer:	Stainless steel
Diaphragm:	Reinforced EPDM
Valve Disc:	EPDM

Pressure - Temperature

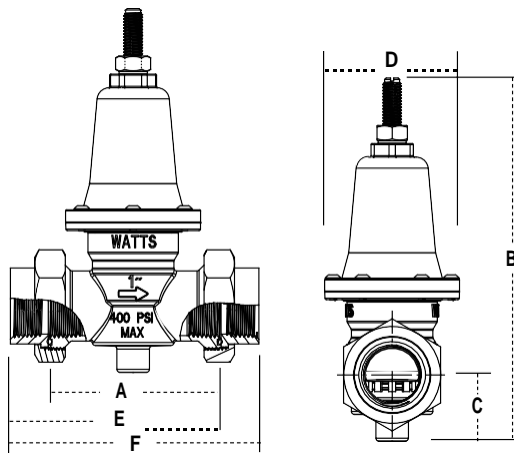
Temperature Range:	33°F – 180°F (0.5°C – 82°C)
Maximum Working Pressure:	400psi (27.6 bar)
Adjustable Reduced Pressure Range:	20–80psi (138 – 552 kPa)
Standard Reduced Pressure Setting:	50psi (345 kPa)
HP Reduced Pressure Range:	50-150psi (345 – 1034 kPa)
HP Reduced Pressure Setting:	100psi (6.9 bar)

Options

Add Suffix

G	Gauge tapping, 1/4" (8mm)
GG	Gauge tapping and 160psi (11.0 bar) gauge
HP	High pressure range 50–150psi (3.4 – 10.3 bar)

Dimensions – Weights



SIZE (DN)		DIMENSIONS										WEIGHTS															
in.	mm	A	B (MAX) STD	B (MAX) HP	C	D (DIA)	E (Threaded)	E (Sweat)	E (QC)	F (Threaded)	F (Sweat)	F (QC)	lbs.	kgs.													
in.	mm	in.	mm	in.	mm	in.	mm	in.	mm	in.	mm	in.	mm	mm													
1/2	15	3	76.7	5 7/16	137.7	6 11/16	169.9	1 3/16	32.8	2 1/16	61.2	3 11/16	93.0	3 5/8	91.9	4 1/2	115	4 3/16	109.2	4 1/4	107.2	6	153	1.43	0.65		
3/4	20	3 1/8	79.8	5 7/16	137.7	6 11/16	169.9	1 3/16	32.8	2 1/16	61.2	3 3/4	96.0	4	101.1	4 13/16	122	4 1/16	112.3	4 3/16	122.4	6 1/2	165	1.52	0.69		
1	25	3 3/16	90.4	6 3/16	157.2	7 14/16	199.9	1 3/8	34.5	2 3/4	70.6	4 15/16	110.2	4 9/16	116.1	5 5/16	135	5 1/8	130.0	5 9/16	141.7	7 1/16	179	2.22	1.01		
1 1/4	32	4 9/16	110.2	6 15/16	176.0	9 13/16	248.9	1 9/16	39.40	3 1/4	81.8	5 9/8	142.7	5 9/8	136.9	–	–	6 7/8	175.3	6 1/16	163.6	–	–	–	–	3.61	1.64
1 1/2	40	5 1/2	140.2	11 3/4	297.9	16 3/4	426.0	1 7/8	47.50	4 7/16	115.8	6 13/16	142.7	6 11/16	169.9	–	–	8 1/16	205.2	7 7/8	199.6	–	–	–	–	9.27	4.20
2	50	5 1/2	140.2	11 3/4	297.9	16 3/4	426.0	1 7/8	47.50	4 7/16	115.8	6 13/16	173.5	6 13/16	176.5	–	–	8 1/8	206.8	8 3/8	212.9	–	–	–	–	9.59	4.35



A Watts Water Technologies Company

Standards



Certified to ASSE Standard 1003, and listed by ASSE and IAPMO.

Capacity

