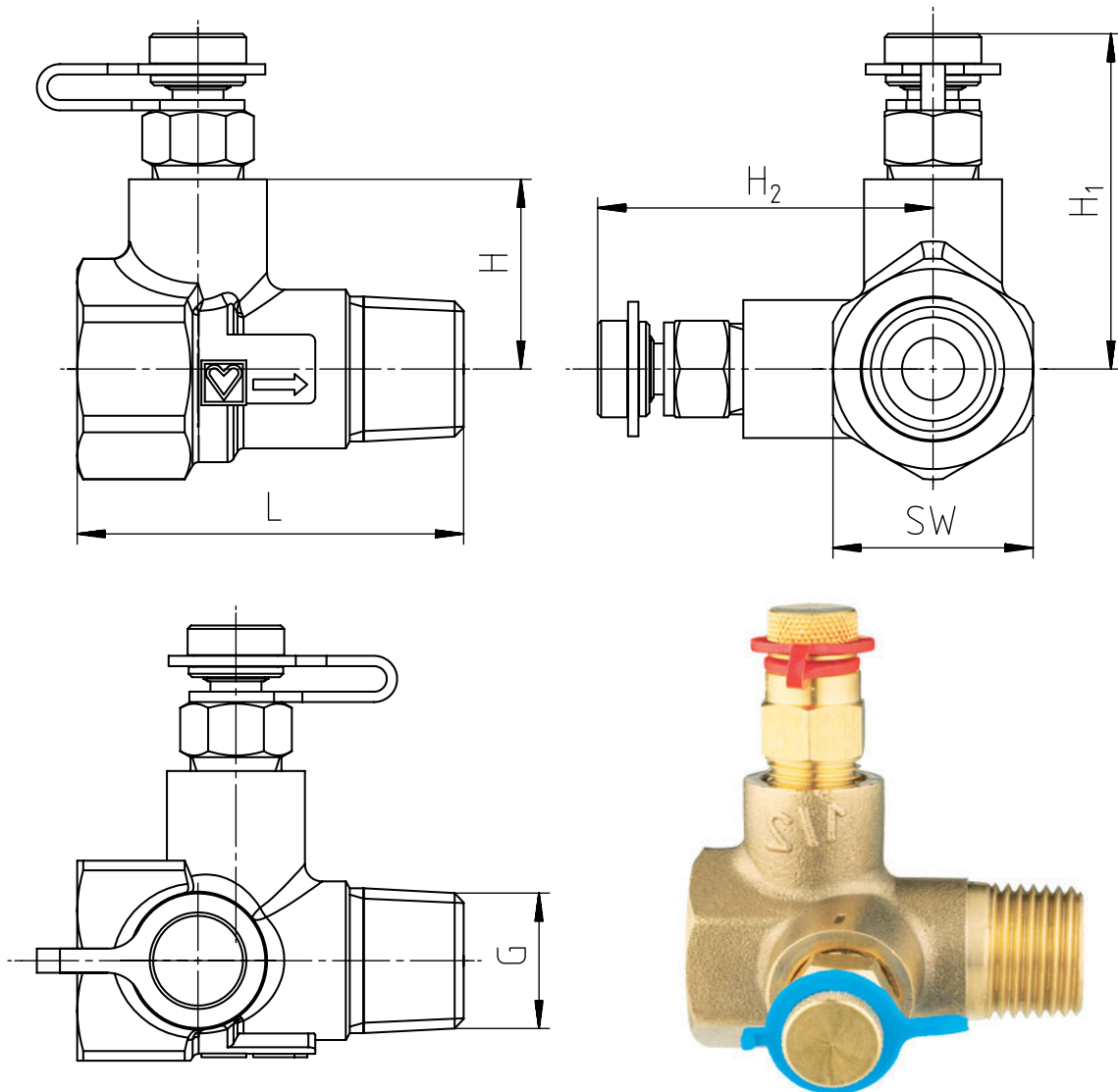
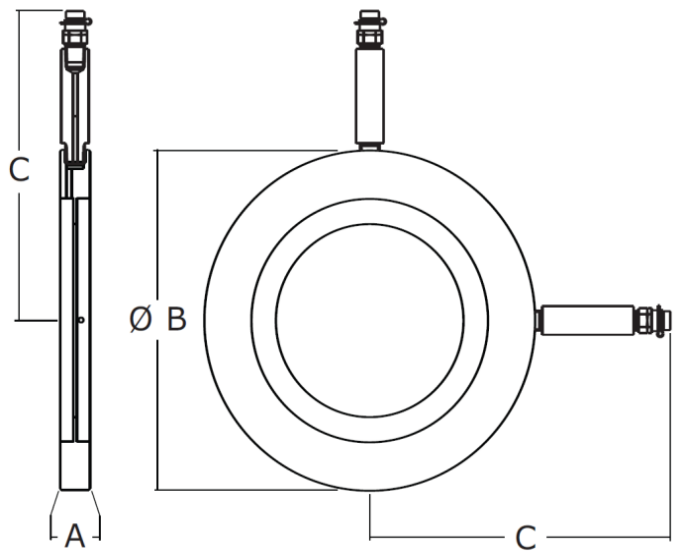


 Dimensions in mm



Order number	DN	G	L	H1	H2,H3	Sw	kvs
1 4000 11	15LF	½	56	27.5	52	29	0.55
1 4000 21	15MF	½	56	27.5	52	29	1.1
1 4000 01	15	½	56	27.5	52	29	2.2
1 4000 02	20	¾	58	30	54.5	36	4.25
1 4000 03	25	1	64	33	57.5	43	8.6
1 4000 04	32	1 ¼	72	38.5	63	53	15.9
1 4000 05	40	1 ½	72	40	64.5	61	23.7
1 4000 06	50	2	80	45	69.5	72	48

All specifications and information within this document are reflecting the information available at the time of going to print and meant for informational purpose only. Herz Armaturen reserves the right to modify and change products as well as its technical specifications and/or its function according to technological progress and requirements. All diagrams are indicative in nature and do not to be complete. It is understood that all images of Herz products are symbolic representations and therefore may visually differ from the actual product. Colours may differ due to printing technology used. In case of any further questions don't hesitate to contact your closest HERZ Branch-Office.



Order Number	DN	A	B	C	Weight in kg
1 4000 31	65	20	129	160	1.6
1 4000 32	80	20	144	170	1.9
1 4000 33	100	20	164	180	2.1
1 4000 34	125	20	194	195	2.8
1 4000 35	150	20	220	205	3.3
1 4000 36	200	20	275	235	5
1 4000 37	250	20	358	260	6
1 4000 38	300	20	386	290	7

#### Design

**4000 0x, 11, 21**

Metering stations from 1/2 to 2, including a 1/2 Low Flow and Medium Flow version. Manufactured in DZR Brass and supplied with test points already fitted.

#### Application

**4000 0x, 11, 21**

Metering valves are used in the flow and partnered with a DRV in the return to give the required control. Simple and cost effective for all applications, but must not be used for regulation. This is done on the DRV.

**4000 3x**

These metering valves are used combined with flange valves. Designed in accordance with BS1042. Flow characteristic confirmed to BS7350. Can be close coupled to a DR valve complying with BS 7350. Outside diameter locates centrally within flange bolting to BS EN 1092-2 PN16. Self-sealing pressure test point

#### Technical Data

**4000 0x, 11, 21**

Max. operating temperature 130 °C

Max. operating pressure 20 bar

Water purity according to OeNORM H5195 and VDI 2035

**4000 3x**

Min. operating temperature - 10 °C

Max. operating temperature 130 °C

Max. operating pressure 16 bar

Note: The test point has a maximum temperature of 130 °C. If other test points are fitted the maximum temperature should be obtained from the manufacturer.

### ☑ Materials

**4000 0x, 11, 21**

Body DZR Copper Alloy, CC752S  
 Test point DZR Copper Alloy, CW602N

**4000 3x**

Body Stainless Steel  
 Extension Stainless Steel  
 Test point DZR Copper Alloy, CW602N

### ☑ HERZ connection adapters for plastic, copper and steel pipes

The metering station can optionally be connected to a threaded pipe or used on a calibrated copper pipe compression adapter. Compression adapters must be ordered separately.

#### HERZ compression adapters

HERZ compression adapters for copper and steel pipes, allowable temperature and pressure ratings according to EN 1254-2 1998 Table 5.

#### HERZ plastic pipe connections

Max. operating temperature 95 ° C

Max. operating pressure 10 bar, if approved by the pipe manufacturer

Ammonia contained in hemp can damage brass valve bodies, EPDM gaskets can be affected by Mineral oils lubricants and thus lead to failure of the EPDM seals. Please refer to manufacturers documentation when using ethylene glycol products for frost and corrosion protection.

For further information, see data sheet **6273 – 6294**.

### ☑ Accessories

1 **8900 04** HERZ-Measuring device  
 1 **8903 02** HERZ-Measuring device

### ☑ Spare parts

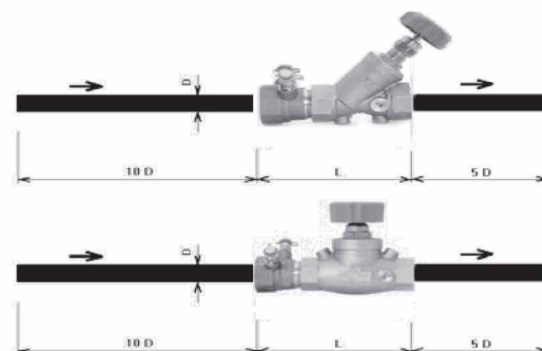
1 **0284 01** test point for HERZ circuit control valve, blue cap (return)  
 1 **0284 02** test point for HERZ circuit control valve, red cap (flow)  
 1 **0284 11** test point for HERZ circuit control valve, extended model, blue cap (return)  
 1 **0284 12** test point for HERZ circuit control valve, extended model, red cap (flow)

### ☑ Measuring

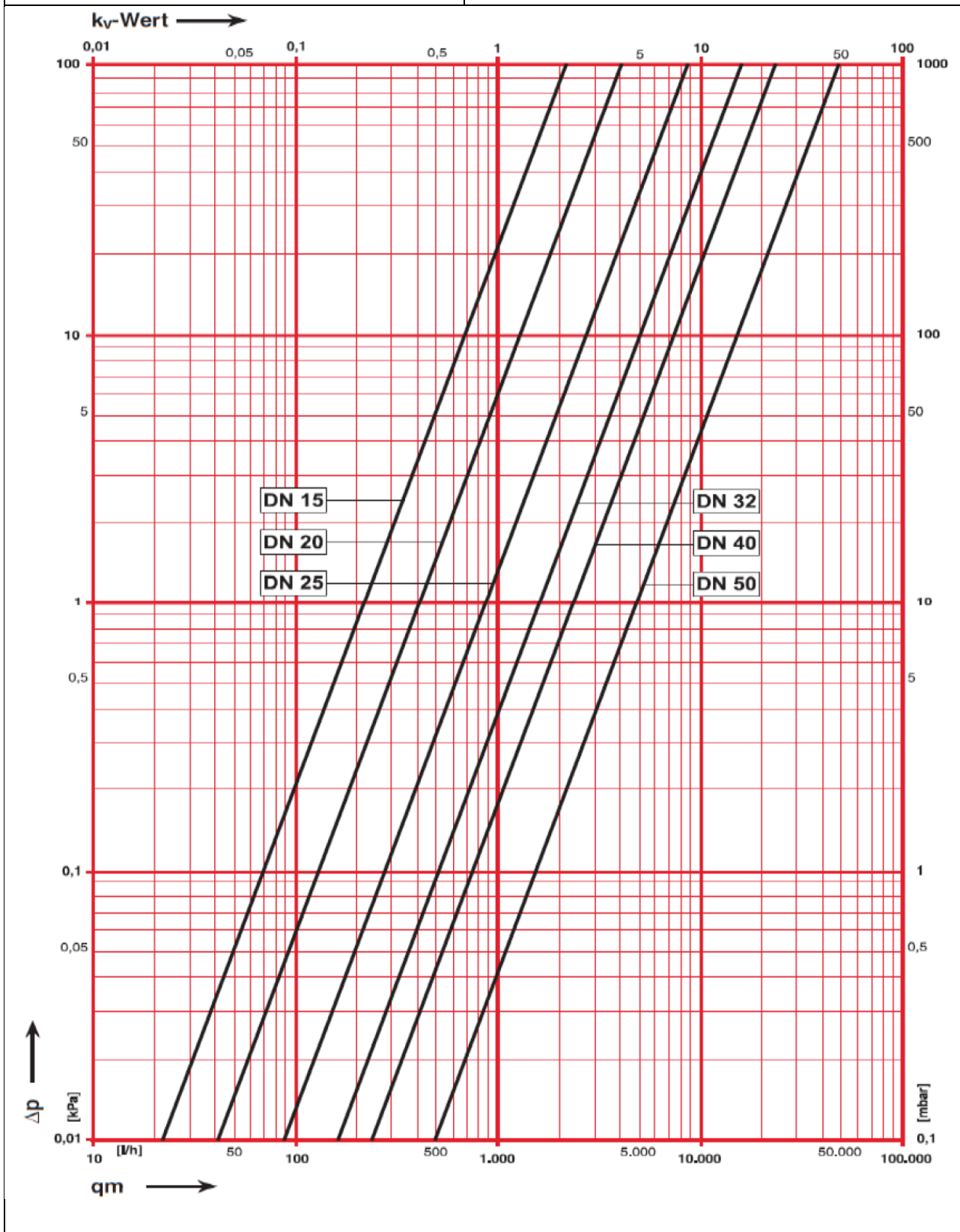
Fixed orifice double regulating valves must always be installed with a minimum of 10 pipe diameters of straight pipe, without intrusion, upstream of the orifice plate. Downstream of the valve a minimum of 5 pipe diameters of straight pipe are required.

1 **4000 0x, 11, 21 + 1 4117**

1 **4000 0x, 11, 21 + 1 4217**



HERZ-flow data – flow signal	HERZ Metering Station
Art. Nr.: 1 <b>4000</b> 0x, 11, 21	Dim. DN 15 – DN 50



All specifications and information within this document are reflecting the information available at the time of going to print and meant for informational purpose only. Herz Armaturen reserves the right to modify and change products as well as its technical specifications and/or its function according to technological progress and requirements. All diagrams are indicative in nature and do not to be complete. It is understood that all images of Herz products are symbolic representations and therefore may visually differ from the actual product. Colours may differ due to printing technology used. In case of any further questions don't hesitate to contact your closest HERZ Branch-Office.