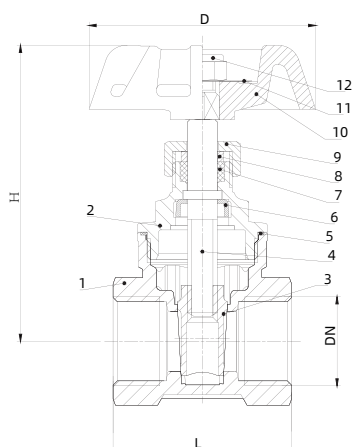


# DZR Brass Gate Valve

■ Fig.3103-V



## Technical Specification

- Design Standard BS5154
- Thread Standard BSPT/ISO7-1  
ASME B1.20.1/NPT Thread (Can be Customized)
- Size DN15 ~ DN50
- Working Pressure PN20
- Suitable Medium Water, Concentration  $\leq 50\%$   
Ethylene Glycol Solution
- Working Temperature  $0^{\circ}\text{C} \sim 100^{\circ}\text{C}$  ( $0^{\circ}\text{C} \sim 85^{\circ}\text{C}$  WRAS)

## Material Specification

No.	Part	Material	Specification
1	Body	DZR Brass	CW602N
2	Bonnet	DZR Brass	CW602N
3	Disc	DZR Brass	CW602N
4	Stem	Brass	H59-1
5	Sealing Gasket	PTFE	--
6	Sleeve	Brass	H62
7	Bushing	PTFE	--
8	Gasket	Brass	H57-3
9	Internal Tooth Pressure Cap	Brass	H57-3
10	Handwheel	Grey Cast Iron	HT200
11	Nameplate	Aluminum	LF21
12	Locking Nut	Stainless Steel	SS304

## Dimension

DN	INCH	L mm	D mm	H mm
15	½"BSPT	42	53	68.5
20	¾"BSPT	46	53	75.4
25	1"BSPT	51	58	83.3
32	1¼"BSPT	59	65	99.4
40	1½"BSPT	62	70	116.0
50	2"BSPT	69	80	139.0