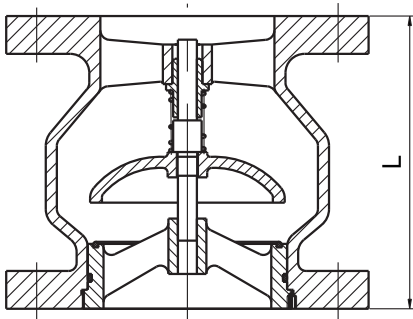


CLASS 125/CLASS250/
PN 16/PN25/JIS 10K/JIS16K

Globe Type Silent Check Valve

Fig. 5104



Pressure Temperature Ratings

Working pressure	16bar/25bar
Testing Pressure	Shell:24bar/37.5bar Seal:17.6bar/27.5bar
Working Temperature	-20°C to 110°C EPDM -10°C to 80°C NBR
Suitable Media	Water,Oil&Gas

Material Specification

Part	Material	ASTM Spec.
Body	Cast Iron	A126 Class B
	Ductile Iron	A536 65-45-12
Disc	Ductile Iron	A536 65-45-12
	Stainless Steel	A351 CF8
Seat	Bronze	B62 C83600
	Stainless Steel	A351 CF8
Seat Ring	Bronze	B62 C83600
	EPDM / NBR	Commercial
Bushing	Bronze	B62 C83600
Spring	Stainless Steel	AISI 304

Dimensions

DN	mm	50	65	80	100	125	150	200	250	300	350	400	450	500	600
	inch	2	2-1/2	3	4	5	6	8	10	12	14	16	18	20	24
L		133	140	152	185	216	229	257	393	362	400	448	476	524	610

Note: Information listed might be subject to change without notice due to continuing products development.