

# HERZ Isolating Butterfly Valves

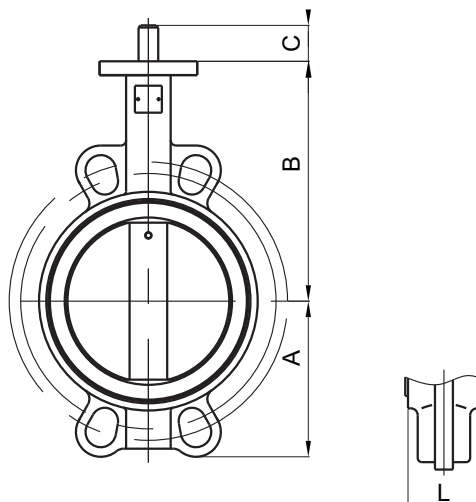
Wafer type, Lever or Gear Operated



Datasheet for 4219, Issue 1117

**Wafer type**

Dimensions in mm



DN		Order #	A	B	L	C
mm	inch					
65	2 1/2"	5 4219 42	89	175	45	30
80	3"	5 4219 43	95	181	45	30
100	4"	5 4219 44	114	200	51	30
125	5"	5 4219 45	127	213	55	30
150	6"	5 4219 46	139	226	55	30
200	8"	5 4219 47	175	260	60	34
250	10"	5 4219 48	203	292	67	34
300	12"	5 4219 49	242	337	76	34
350	14"	5 4219 50	267	368	76	40
400	16"	5 4219 51	316	400	102	52
450	18"	5 4219 52	334	422	114	52
500	20"	5 4219 53	370	480	127	64
550	22"	5 4219 54	433	533	151	70
600	24"	5 4219 55	468	562	151	70

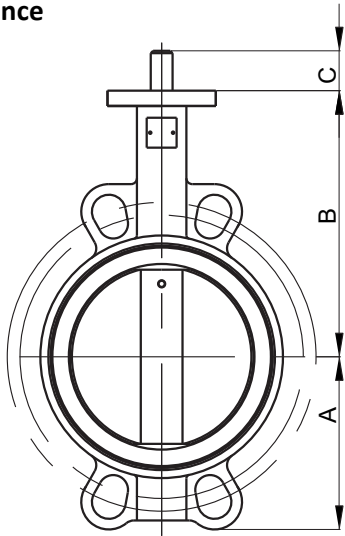
**Material Specification**

Body	Ductile iron A536 Gr. 65-45-12
Disc	stainless steel, A351 CF-8/CF-8M
Spindle	stainless steel A276 S 410/431
Seat Ring	EPDM/NBR
Bushing	PTFE/Bronze B62
O-ring	EPDM/NBR

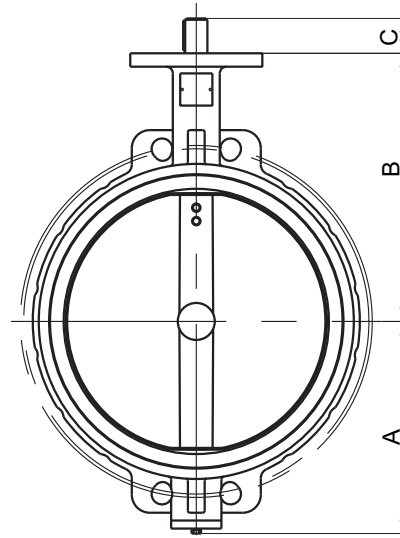
Comply with ISO 5752/BS5155/BS EN593/MSS SP-67/API 609, Lever / Worm Gear Operator, Epoxy coated

All specifications and information within this document are reflecting the information available at the time of going to print and meant for informational purpose only. Herz Armaturen reserves the right to modify and change products as well as its technical specifications and/or its function according to technological progress and requirements. All diagrams are indicative in nature and do not to be complete. It is understood that all images of Herz products are symbolic representations and therefore may visually differ from the actual product. Colours may differ due to printing technology used. In case of any further questions don't hesitate to contact your closest HERZ Branch-Office.

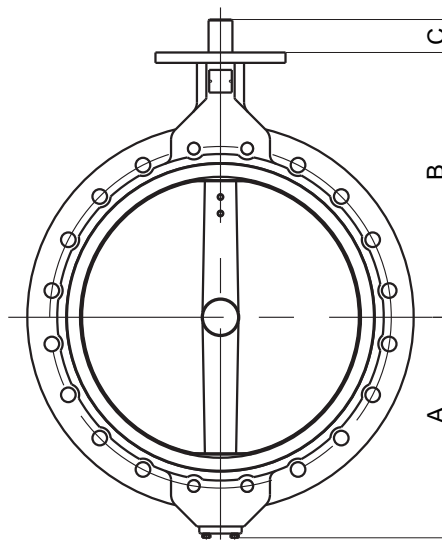
 **Appearance**



Fit DN65 - DN350  
Wafer butterfly valves



Fit DN400 - DN500  
Wafer butterfly valves



Fit DN550 - DN600  
Wafer butterfly valves

 **Technical Data**

Working pressure:	16bar/ 25bar
Testing pressure:	Shell: 24bar/ 37.5bar Seat: 17.6bar/ 27.5bar
Working temperature:	-20°C to 110°C EPDM Seat -10°C to 80°C NBR Seat
Suitable Media:	Water, Oil & Gas

All specifications and information within this document are reflecting the information available at the time of going to print and meant for informational purpose only. Herz Armaturen reserves the right to modify and change products as well as its technical specifications and/or its function according to technological progress and requirements. All diagrams are indicative in nature and do not to be complete. It is understood that all images of Herz products are symbolic representations and therefore may visually differ from the actual product. Colours may differ due to printing technology used. In case of any further questions don't hesitate to contact your closest HERZ Branch-Office.