

Double Flanged Butterfly Valve

CLASS 125/PN10/PN16/PN25/JIS 10K

Fig. 2123

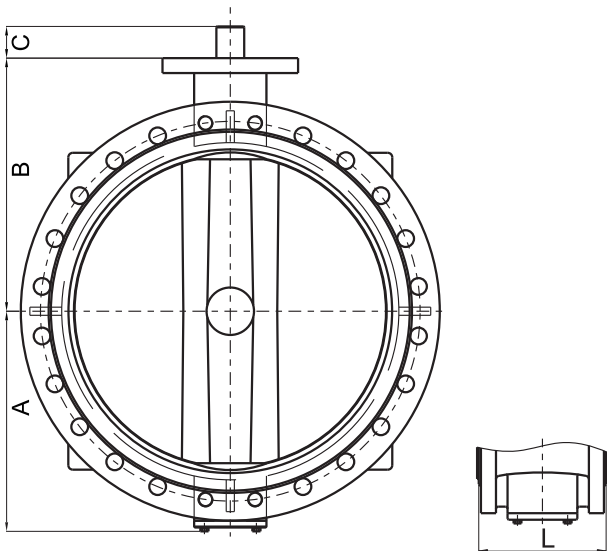


Valve Standard :

Comply with ISO 5752/BS 5155/BS EN 593

Pressure Temperature Ratings

Working pressure	10bar/16bar/25bar
Testing Pressure	Shell: 15bar/24bar/37.5bar Seal: 11bar/17.6bar/27.5bar
Working Temperature	-20°C to 110°C EPDM Seat -10°C to 80°C NBR Seat
Suitable Media	Water, Oil & Gas



Material Specification

Part	Material	EN Spec.
Body	Ductile Iron	EN-JS 1050
Disc	Ductile Iron	EN-JS 1050
	Bronze	EN 1982 CC491K
	Stainless Steel 304	BS970 304 C 15
	Stainless steel 316	BS970 316 C 16
Shaft	Stainless Steel 410	BS970 410 S 21
	Stainless Steel 431	BS970 431 S 29
Seat Ring	EPDM / NBR	
O-Ring	EPDM / NBR	
Bushing	Bronze	EN 1982 CC491K

Dimensions

DN	mm	50	65	80	100	125	150	200	250	300	350	400	450	500	600	700	750
	inch	2	2-1/2	3	4	5	6	8	10	12	14	16	18	20	24	28	30
A		80	80	95	114	114	139	175	203	242	250	317	341	367	432	488	517
B		110	134	131	150	170	180	210	245	276	328	376	407	433	508	560	610
C		30	30	30	30	30	30	34	34	34	40	52	52	64	70	95	95
L		108	112	114	127	140	140	152	165	178	190	216	222	229	267	292	305

DN	mm	800	900	1000	1200	1300	1350	1400	1500	1600	1800	2000	2200	2400	2600	2800	3000
	inch	32	36	40	48	52	54	56	60	64	72	80	88	96	104	112	120
A		544	615	669	794	968	1062	1066	950	1054	1164	1363	1445	1610	1795	1900	2040
B		620	692	735	917	990	1046	1000	1050	1150	1200	1360	1500	1650	1780	1900	2070
C		95	130	130	150	200	200	200	200	200	200	200	300	300	300	300	350
L		318	330	410	470	490	490	530	570	600	670	760	636/800	850	900	950	1000

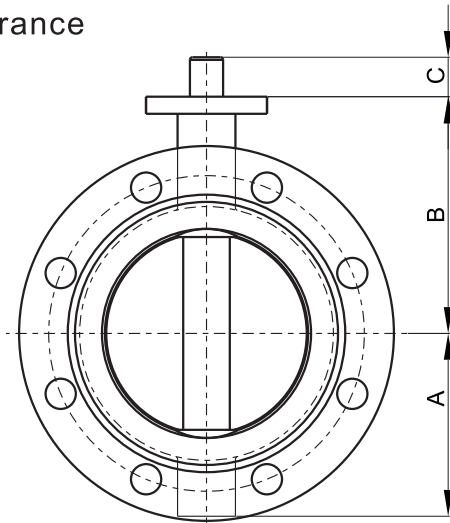
Note: Information listed might be subject to change without notice due to continuing products development.

Double Flanged Butterfly Valve

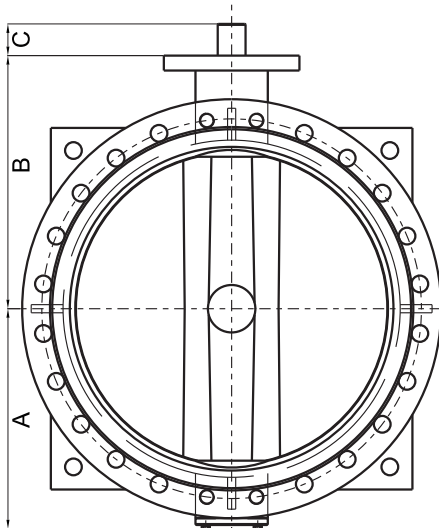
CLASS 125/PN10/PN16/PN25/JIS 10K

Fig. 2123

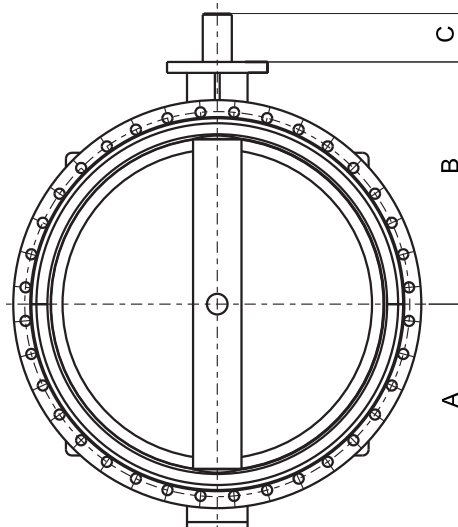
Appearance



Fit DN50-DN350 Double Flanged Butterfly valves



Fit DN400-DN1200 Double Flanged Butterfly valves



Fit DN1300-DN3000 Double Flanged Butterfly valves

Note: Information listed might be subject to change without notice due to continuing products development.