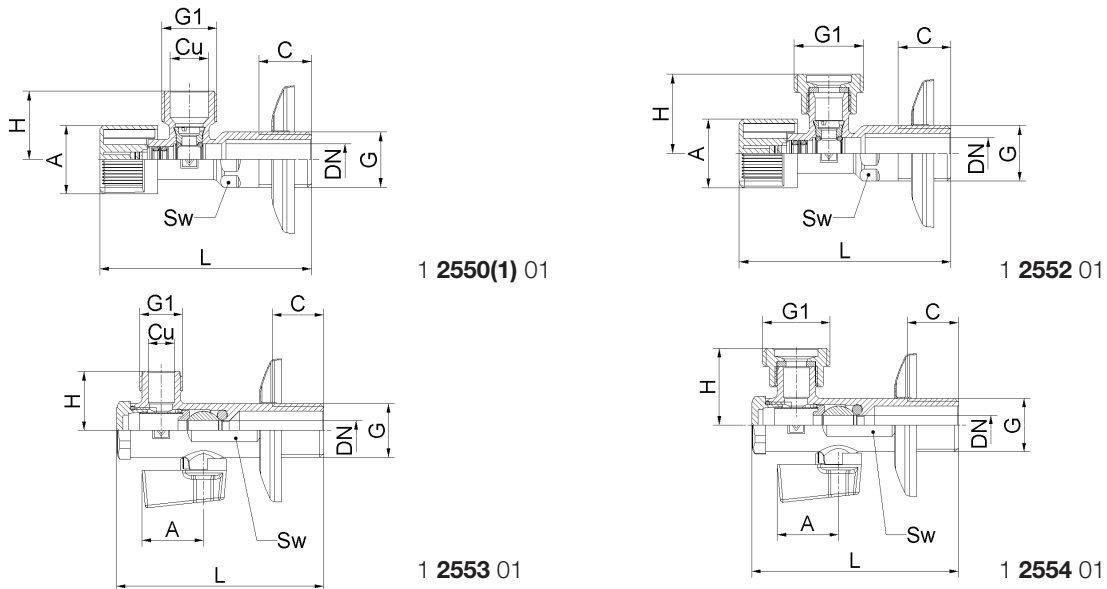


HERZ - Angle Valve

for potable water

Datasheet 1 255X 01, Issue 0616

☑ Dimensions



Order Nr.	DN	PN [bar]	G [in]	G1 [in]	Cu [mm]	C [mm]	L [mm]	A [mm]	H [mm]	Sw [mm]	Weight [kg]
1 2550 01	6	16	1/2	3/8	10	20	80	26	23	19	0,100
1 2551 01	6	16	1/2	1/2	15	20	80	26	26	19	0,110
1 2552 01	6	16	1/2	3/4	/	20	80	26	30	19	0,130
1 2553 01	8	16	1/2	3/8	10	20	82	24	23	19	0,140
1 2554 01	8	16	1/2	3/4	/	20	82	24	30	19	0,166

☑ Material and construction

Body:	forged brass acc. to EN 12165, chrome plated, CW617N
Ball:	forged brass acc. to EN 12165, reduced bore, CW617N
Spindle:	machined brass acc. to EN 12164, CW614N
Handles:	plastic, chrome plated
Ball seals:	EPDM, POM
Spindle seals:	NBR
External threaded connectors:	acc. to ISO 228-1

☑ Operating data

Max. operating pressure:	see table above
Min. temperature:	0,5°C
Max. temperature:	90 °C
Max. short-term temperature:	up to 120 °C
Ball valve design:	acc. to DIN 3357 T1, DIN 3357 T4
Ball valve tests:	acc. to DIN 3230 T3
Medium:	water, potable water

Field of application

HERZ angle valves for potable water have to be used as shut off elements. Field of application are water installations where we need to connect plumbing fittings, flow meter heaters... Angle valves are used wherever the medium flow has to be reliably closed. Angle valve should not be used as regulating element so it has to be fully opened or fully closed (the handle should not be in intermediate position). Angle ball valve 1 **2553** 01 and 1 **2554** 01 have integrated filter that allows water filtration.

Assembly instruction

The threads of the pipe have to be coated with a suitable sealing material (spinning material, Teflon ribbon, sealing paste). There should not be excess of sealing material on the pipe because it can damage the thread. The ball valve with thread (G) is screwed onto the pipe. When using copper or plastic pipes take into account pressure and temperature limits of used material. When assembling, use a suitable assembly tool that adapts to valve end connections (Sw, Sw1). The angle valve can be mounted in any position: horizontal, vertical or upside-down. Following assembly, the connections of ball valve must be checked for water-tightness by the installer. All engineering standards and recognised regulations must be adhered by these specialist staff. If there are impurities in the medium (water too hard, dust, etc.) there should be a filter installed, in other case the impurities can damage the seals in the valve.

Function principle

Inspect the position of the handle to see whether the ball valve is opened or closed. It is opened if the handle is aligned with the pipe and it is closed if the handle is positioned perpendicularly to the pipe. Open or close the ball valve by rotating the handle for 90°.

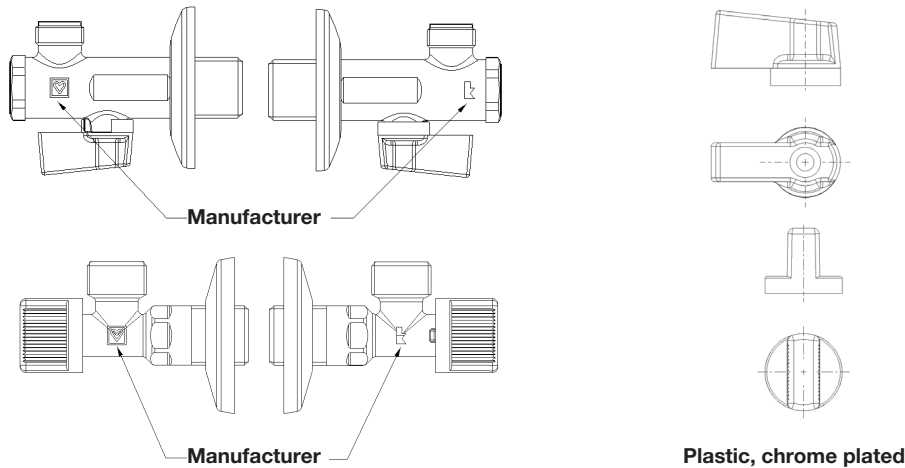
Maintenance instructions

When the ball valve for heating and chilled water is installed, it does not require any special maintenance. It is recommended to close and open the ball valve periodically (at least twice a year). The filter in an angle ball valves 1 **2553** 01 and 1 **2554** 01 has to be cleaned in following manner: close the valve, unscrew the valve plug, pull out and clean the filter mesh. In case the filter mesh is damaged, replace it (see table below). Assemble in reverse order.

Disposal instruction

The disposal of HERZ angle valves must not endanger the health or the environment. National legal regulations for proper disposal of the HERZ angle valves for have to be followed.

Labels on ball valves



Spare parts

Order Nr. Valve	Order Nr. Handle	Order Nr. Filter
1 2550 01	2203611R	/
1 2551 01	2203611R	/
1 2552 01	2203611R	/
1 2553 01	2216612R	2321911R
1 2554 01	2216612R	2321911R

Please note: All specifications and information within this document are reflecting the information available at the time of going to print and meant for informational purpose only. Herz Armaturen reserves the right to modify and change products as well as its technical specifications and/or its function according to technological progress and requirements. All diagrams are indicative in nature and do not to be complete. It is understood that all images of Herz products are symbolic representations and therefore may visually differ from the actual product. Colours may differ due to printing technology used. In case of any further questions don't hesitate to contact your closest HERZ Branch-Office.