

ABOVAGROUND WATER TANK

Specification

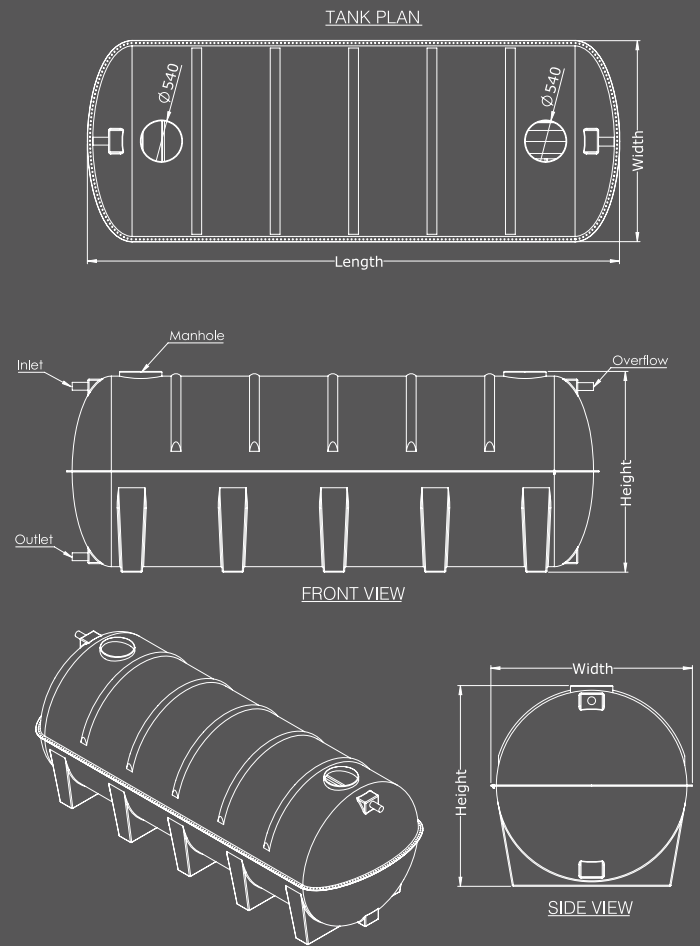
CAPACITIES & DIMENSIONS

FIBERGLASS ABOVEGROUND WATER TANKS

S.No	Capacity			الطول	عرض	ارتفاع	الساقين / غ
	US Gallons. غالونات امريكي	Liters. ليتر	M3 متر مكعب	سم	سم	سم	
1	200	757.1	0.76	133.0	106.0	107.0	2
2	250	946.4	0.95	141.0	107.0	105.0	2
3	300	1135.7	1.14	150.0	114.0	122.0	2
4	400	1514.2	1.52	164.0	115.0	125.0	2
5	500	1892.8	1.90	190.0	132.0	136.0	2
6	600	2271.3	2.28	221.0	134.0	146.0	2
7	800	3028.4	3.10	209.0	156.0	158.0	2
8	1000	3785.5	3.80	230.5	166.0	159.0	2
9	1200	4542.5	4.55	225.0	178.0	170.0	2
10	1500	5678.2	5.70	289.0	182.0	180.0	2
11	2000	7570.1	7.60	314.0	210.0	210.0	3
12	2500	9463.6	9.50	304.0	220.0	238.0	2
13	3000	11356.3	11.40	400.0	221.0	236.0	3
14	4000	15141.7	15.20	462.0	220.0	250.0	4
15	5000	18927.1	19.00	478.0	255.0	244.0	4
16	6000	22712.5	22.80	560.0	255.0	248.0	5
17	8000	30283.3	30.30	630.0	287.0	262.0	6
18	10000	37854.2	38.00	799.0	287.0	283.0	7
19	15000	56781.2	56.80	934.0	305.0	303.0	8
20	20000	75708.2	76.00	1260.0	350.0	305.0	10

Actual Capacity May Vary ± 2 %

FIBERGLASS ABOVEGROUND WATER TANKS STANDRAD MANHOLE HEIGHT 10 CM



Fiberglass Tanks

Underground And Septic Tanks

Specification

CAPACITIES & DIMENSIONS

FIBERGLASS UNDERGROUND & SEPTIC TANKS

S.No	Capacity			الطول سم	عرض سم	ارتفاع سم	الساقين / غ
	U.S Gallons. غالونات امريكي	Liters. ليتر	M3 متر مكعب	Length CM	Width CM	Height CM	
1	200	757.1	0.76	133.0	106.0	107.0	2
2	250	946.4	0.95	141.0	107.0	105.0	2
3	300	1135.7	1.14	150.0	114.0	122.0	2
4	400	1514.2	1.52	164.0	115.0	125.0	2
5	500	1892.8	1.90	190.0	132.0	136.0	2
6	600	2271.3	2.28	221.0	134.0	146.0	2
7	800	3028.4	3.10	209.0	156.0	158.0	2
8	1000	3785.5	3.80	230.5	166.0	159.0	2
9	1200	4542.5	4.55	225.0	178.0	170.0	2
10	1500	5678.2	5.70	289.0	182.0	180.0	2
11	2000	7570.1	7.60	314.0	210.0	210.0	3
12	2500	9463.6	9.50	304.0	220.0	238.0	2
13	3000	11356.3	11.40	400.0	221.0	236.0	3
14	4000	15141.7	15.20	462.0	220.0	250.0	4
15	5000	18927.1	19.00	478.0	255.0	244.0	4
16	6000	22712.5	22.80	560.0	255.0	248.0	5
17	8000	30283.3	30.30	630.0	287.0	262.0	6
18	10000	37854.2	38.00	799.0	287.0	283.0	7
19	15000	56781.2	56.80	934.0	305.0	303.0	8
20	20000	75708.2	76.00	1260.0	350.0	305.0	10

Actual Capacity May Vary ± 2 %

FIBERGLASS UNDERGROUND & SEPTIC TANKS STANDRAD MANHOLE HEIGHT 35 CM

