

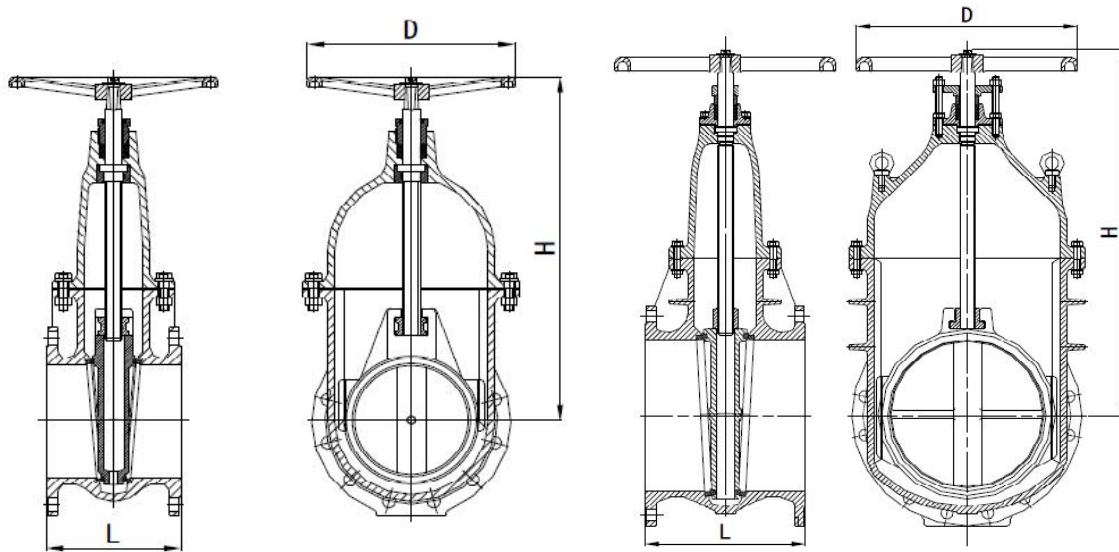
HERZ- Gate Valve

PN 25, Ductile iron Gate valve



Datasheet for 4113, Issue 1117

All dimensions in mm



Size		Order No.	L(mm)	H(mm)	D(mm)
DN(mm)	Inch				
65	2-1/2"	5 4113 31	191	300	175
80	3"	5 4113 32	203	344	255
100	4"	5 4113 33	229	390	255
125	5"	5 4113 34	254	461	305
150	6"	5 4113 35	267	513	305
200	8"	5 4113 36	292	616	355
250	10"	5 4113 37	330	705	405
300	12"	5 4113 38	356	800	405
350	14"	5 4113 39	381	867	558
400	16"	5 4113 40	406	966	558
450	18"	5 4113 41	432	1080	610
500	20"	5 4113 42	457	1152	610
600	24"	5 4113 43	508	1310	610

Technical Data

Nominal Pressure: 25 bar.
Working Temperature: -10° to 120°C

Material Specification

Body: Ductile iron, EN-JL 1050
Bonnet: Ductile iron, EN-JL 1050
Seat: Stainless Steel 304
Wedge: Ductile iron
Wedge Trim: Stainless Steel 304
Gasket & packing: Graphite, Asbestos free.
Packing Nut: Stainless Steel 304
Bonnet Nuts & Bolts: Carbon steel, Grade 4.8
Handwheel: Ductile iron, EN-JS1050

Distributed by



www.anbisolutions.com

All specifications and information within this document are reflecting the information available at the time of going to print and meant for informational purpose only. Herz Armaturen reserves the right to modify and change products as well as its technical specifications and/or its function according to technological progress and requirements. All diagrams are indicative in nature and do not to be complete. It is understood that all images of Herz products are symbolic representations and therefore may visually differ from the actual product. Colours may differ due to printing technology used. In case of any further questions don't hesitate to contact your closest HERZ Branch-Office.