

Counterweight Swing Check Valve
PN16

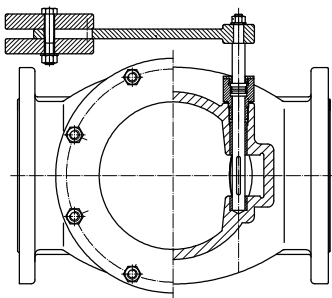
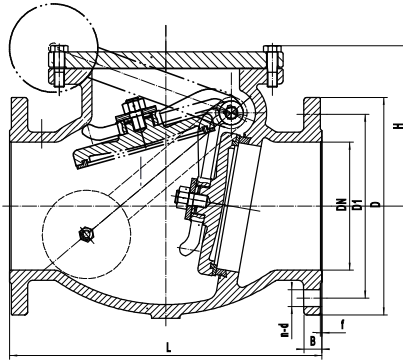
Fig. 5113



Valve Standard :
Face to Face Dimension comply with EN558-2 series 10

Pressure Temperature Ratings

Working pressure	16bar
Testing Pressure	Shell: 24bar Seat: 16 bar
Working Temperature	-10°C to 120°C
Suitable Medium	Water, oil, steam



Material Specification

Part	Material	BS Spec.
Body	Cast Iron	BS EN 1561 EN-GJL-250
Bonnet	Cast Iron	BS EN 1561 EN-GJL-250
Disc	Cast Iron	BS EN 1561 EN-GJL-250
Seat Ring	Cast Bronze	BS 1400 LG2
Gasket	Graphite	
Hanger	Ductile Cast Iron	BS EN1563 GJS150-10
Pin	Stainless Steel	BS 970 304S15
Washer	Steel	BS 970 43A
O-Ring	EPDM	

Dimensions

DN	mm	50	65	80	100	125	150	200	250	300	350	400	450	500	600
	inch	2	2-1/2	3	4	5	6	8	10	12	14	16	18	20	24
L		203	216	241	292	330	356	495	622	699	787	914	914	1016	1219
D		165	185	200	220	250	285	340	405	460	520	580	640	715	840
D1		125	145	160	180	210	240	295	355	410	470	525	585	650	770
D2		99	118	132	156	184	211	266	319	370	429	480	548	609	720
B		20	20	22	24	26	26	30	32	32	36	38	40	42	48
n-d		4-19	4-19	8-19	8-19	8-19	8-23	12-23	12-28	12-28	16-28	16-31	20-31	20-34	20-37
f		3	3	3	3	3	3	3	3	4	4	4	4	4	5
H		103	120	141	162	187	211	270	316	357	560	589	645	702	812

Note: Information listed might be subject to change without notice due to continuing products development.