

Double Flanged Eccentric Butterfly Valve

CLASS 125/PN10/PN16/PN25/JIS 10K

Fig. 2688

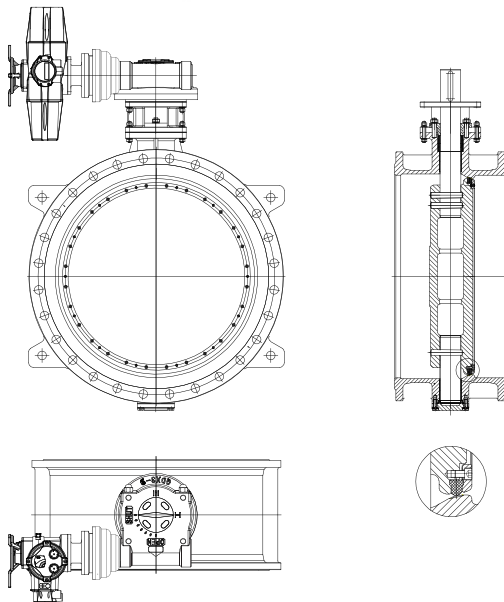


Valve Standard :

Comply with BS EN 593/EN 1092-2/
BS EN 558/BS EN 1074

Pressure Temperature Ratings

Working pressure	16bar
Testing Pressure	Shell: 15bar
	Seal: 11bar
Working Temperature	-29°C to 80°C
Suitable Media	Water



Material Specification

Part	Material	ASTM
Body	Ductile Iron	GGG50
Disc	Ductile Iron	GGG50
Shaft	Stainless Steel	BS970 420S37
Seat	Stainless Steel	A315 CF8-M
Sealing Ring	EPDM	

Dimensions

DN	mm	100	150	200	250	300	350	400	450	500	600	700	800
	inch	4	6	8	10	12	14	16	18	20	24	28	32
L		190	210	230	250	270	290	310	330	350	390	430	470

DN	mm	900	1000	1200	1400	1600	1800	2000	2200	2600	2800	3000	-
	inch	36	40	48	56	64	72	80	88	104	112	120	-
L		510	550	630	710	790	870	950	1000	1200	1300	1400	-

Note: Subject to change without prior notice due to products optimization.