

CLASS 150

Bronze Swing Check Valve (Threaded)

Fig. 5451

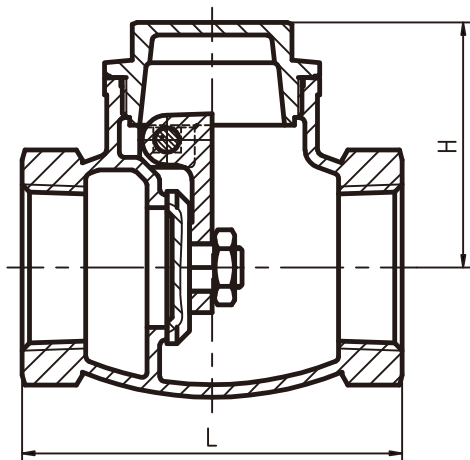


Specification

MSS SP-80
 Screwed Cap • Swing Type Disc • Integral Seat
 Threaded to BS 21 (ISO7) / ASME B1.20.1
 Size Range: 15mm(1/2")~100mm(4")

Pressure Ratings

Working Pressure	300 psi (20.7 bar) WOG Non-Shock 150 psi (10.3 bar) Saturated Steam
Testing Pressure	Shell: 450 psi (31 bar) Hydrostatic Seat: 330 psi (22.7bar) Hydrostatic 80 psi (5.5 bar) Air
Suitable Media	Water, Oil, Gas



Material List

Part Name	Material	ASTM	BS
Body	Bronze (Gunmetal)	B62 C83600	1400 LG2
Cap	Bronze (Gunmetal)	B62 C83600	1400 LG2
Disc	Brass	B124 C38800	2874 CZ122
Hinge Pin	Brass Rod	B124 C38800	2874 CZ122
Gasket	Non-Asbestos		

Dimension

DN	mm	15	20	25	32	40	50	65	80	100
	Inch	1/2	3/4	1	1-1/4	1-1/2	2	2-1/2	3	4
L		58	66	76	88	96	112	136	147	180
H		37	43	49	57.5	63	72	85	93	110