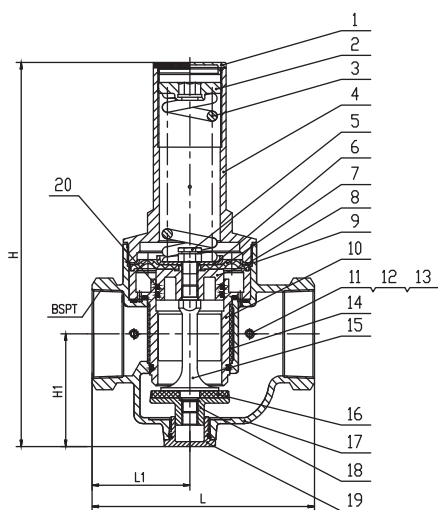


Bronze Pressure Reducing Valve

■ Fig.1520

- Small size, light weight, and compact structure.
- Convenient to install and disassembly.
- Cannot be installed at the end, can only be installed on the branches.



Technical Specification

• Design Standard	GB/T 12244
• Thread Standard	ISO7-1
• Testing Standard	GB/T 12244
• Size	DN15 ~ DN50
• Working Pressure	PN20
• Suitable Medium	Water, Gas
• Working Temperature	-10°C ~ 80°C

Material Specification

No.	Part	Material	Specification
1	Top Lid	Brass	CW614N
2	Adjusting Screw	Brass	CW614N
3	Spring	Spring Steel	65Mn
4	Bonnet	Bronze	CC491K
5	Forcing Screw	Bronze	CC491K
6	Plate	Stainless Steel	--
7	Diaphragm	EPDM+Fiber	--
8	Gasket	Stainless Steel	SS304
9	Core	Brass	CW617N
10	Core Seat	Brass	CW617N
11	Plug	Bronze	CC491K
12	O-Ring	NBR	--
13	Gauge	--	--
14	Mesh	Stainless Steel	SS304
15	Connection Piece	Brass	CW617N
16	Gasket	NBR	--
17	Body	Bronze	C83600
18	Disc	Brass	CW617N
19	Bottom Lid	Brass	CW617N
20	O-Ring	NBR	--

Dimension

DN	INCH	BSPT	L	L1	H1	H
15	1/2"	BSPT1/2"	89	42	46	121
20	3/4"	BSPT3/4"	92	43	46	121
25	1"	BSPT1"	98	46	46	121
32	1 1/4"	BSPT1 1/4"	126	56	62	192
40	1 1/2"	BSPT1 1/2"	126	56	62	192
50	2"	BSPT2"	168	72	85	272