

PEX-605BS

brass FxF gate valve, BS5154

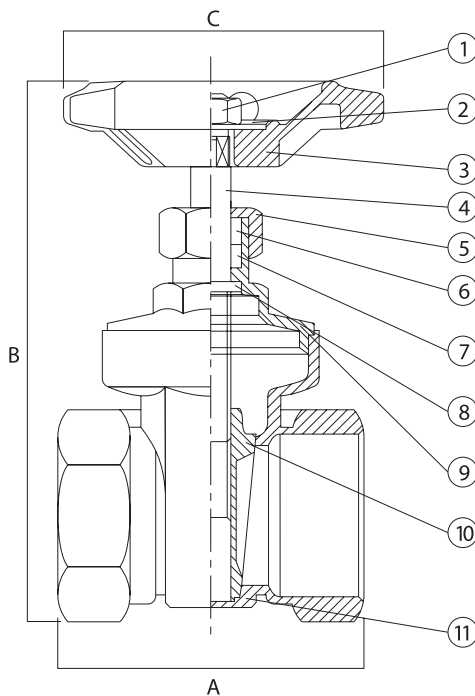
suitable for:
steam, water and oil

- BS5154 PN20
- non rising stem
- solid brass wedge
- high quality PTFE packing
- BS2779 parallel thread (PT)

maximum pressure conditions:
temp up to 100°C - 20.0Bar
temp up to 180°C - 9.0Bar

available sizes as per the 'standard packing details' table

standard packing details									
size A (mm)	1/2"	3/4"	1"	1.1/4"	1.1/2"	2"	2.1/2"	3"	4"
item weight (kg)	0.214	0.327	0.451	0.786	0.994	1.69	2.9	3.68	6.46
inner box contains box weight (kg)	20 4.46	15 4.99	10 4.67	5 4.05	4 4.11	3 5.17	6 18.0	6 23.5	2 13.5
outer carton contains carton weight (kg)	80 18.4	60 20.5	40 19.2	20 16.5	16 16.8	12 21.1	6 18.0	6 23.0	2 13.5
full pallet contains pallet weight (kg)	2880 677.4	2160 753.0	1440 706.2	720 609.0	576 619.8	432 774.6	192 591.0	192 751.0	108 744.0
dimension A mm	47	53	58	76	82	88	97	111	132
dimension B mm	86	98	116	139	157	188	232	258	334
dimension C mm	61	61	71	85	85	100	150	150	150



material specification		
key	component	material
1	handwheel nut	brass
2	rating disc	aluminium
3	handwheel	aluminium alloy
4	stem	brass bar
5	gland nut	forged brass
6	gland packing	PTFE
7	gland	brass bar
8	stem ring	brass bar
9	bonnet	forged brass
10	wedge	forged brass (1/2"-2") gravity die cast brass (2.1/2"-6")
11	body	forged brass (1/2"-2") gravity die cast brass (2.1/2"-6")