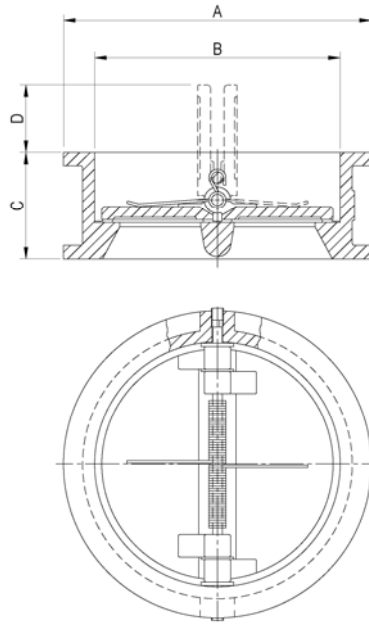


HERZ Cast Iron Wafer Check Valve PN16

Standard sheet for
HVWC25 (0907)



		Specification	
Component	Material	BS EN	ASTM
Body	Cast Iron	1561 EN-JL 1030	A 126 CL B
Disc	Stainless Steel	10213-4 GX5CrNiMo19-11-2	A351 CF8M
Seat	EPDM		
Shaft	Stainless Steel	10088-3 X5CrNiMo17-12-2	A276 316
Spring	Stainless Steel	10270-3 X5CrNiMo17-12-2	AISI 316
Plug	Stainless Steel	10088-3 X5CrNiMo17-12-2	A276 316
Plug Seal	EPDM		
Washer	PTFE		

Materials

Dimensions									
Size	(mm)	65	80	100	125	150	200	250	300
A	mm	126	141	161	191	217	272	327	378
B	mm	80	94	117	145	170	224	265	310
C	mm	46	64	64	70	76	89	114	114
D	mm	18	14	23	37	46	73	75	103
Weight	kg	2.4	3.6	5.8	7.3	9	17	26	41

Dimensions

BS EN 12266-1

Pressure/Temperature Rating
16 bar @ -10 to 120°C

Face to face dimensions to BS EN 558-1 Basic Series 16

Test Pressure
Shell 24 bar
Seat 17.6 bar

Specification



Herz Valves UK Ltd
Progress House
Moorfield Point
Moorfield Road
Guildford
Surrey
GU1 1RU

Tel 01483 502211
Fax 01483 502025

Sales@herzvalves.com

www.herzvalves.com