

FEATURES

- BS5154 PN20
- Non rising stem
- Solid brass wedge
- High quality PTFE Packing
- BS2779 parallel thread (PT)

MAXIMUM PRESSURE CONDITIONS:

- Temp up to 100°C - 20.0Bar
- Temp up to 180°C - 9.0Bar

MATERIAL SPECIFICATION

Key	Component	Material
1	Handwheel nut	Brass
2	Rating disc	Aluminium
3	Handwheel	Aluminium alloy
4	Stem	Brass bar
5	Gland nut	Forged brass
6	Gland packing	PTFE
7	Gland	Brass bar
8	Stem ring	Brass bar
9	Bonnet	Forged brass
10	Wedge	Forged brass (1½" - 2")
11	Body	Forged brass (1½" - 2")

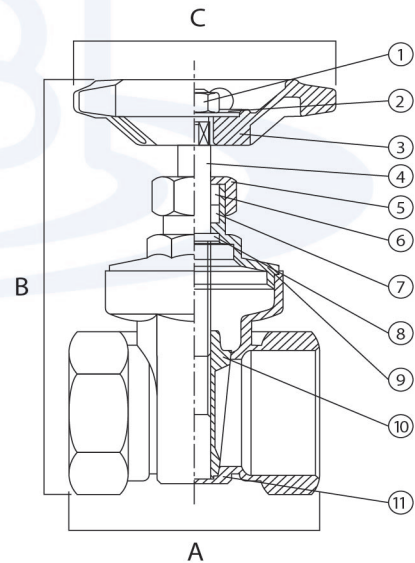
FLOW RATES

Size	1/2"	3/4"	1"	1.1/4"	1.1/2"	2"
Cv	16.4	37.4	66.7	105.3	150.9	269.1
Kv	14.0	32.0	57.0	90.0	129.0	230.0

- Cv - flow rate in US GPM at a pressure drop of 1psi.
- Kv - flow rate in m³ per hour at a pressure drop of 1 bar

Size	Code No.
½"	ABBGV-0102
¾"	ABBGV-0304
1"	ABBGV-0001
1¼"	ABBGV-1104
1½"	ABBGV-1102
2"	ABBGV-0002

ANBI Italy SRL
Via Dei Roved,
Pregnana Milanese
Italy



STANDARD PACKING DETAILS & DIMENSIONS

Size	1/2"	3/4"	1"	1.1/4"	1.1/2"	2"
A - Width (mm)	47mm	53mm	60mm	76mm	82mm	86mm
B - Height (mm)	85mm	97mm	112mm	134mm	151mm	185mm
C - Handle dia (mm)	55mm	59mm	64mm	76mm	76mm	92mm
Item weight (Gm).	270 gm	364 gm	519gm	912gm	1170gm	1284gm
Inner box contains	20	15	10	5	4	3
Box weight (Kg)	4.55	5.1	4.55	4.25	4.35	5.31

Technical Suitability

	Steam	Water	Oil	Gas Inert	Gas	Gas	Gas Oxygen
	✗	✓	✓	✗	✗	✗	✗