

art. **50**

VALVOLA A SFERA "PONY",  
PASSAGGIO RIDOTTO, F.F. DA 1/2" A 4"

"PONY" REDUCED BORE BALL VALVE F.F. FROM 1/2" TO 4"



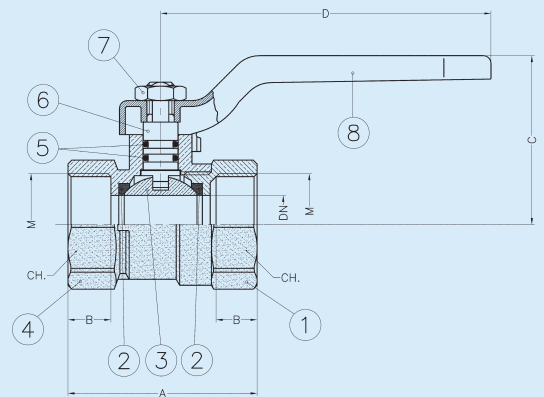
CODE	M	DN	A	B	C	D	CH	PN BAR	PN psi	MASTER pcs
050013	1/2"	10	43	11	39	84	25	30	430	250
050003	1/2"	12	46	11	43	84	25	30	430	250
050004	3/4"	15	49	11	43	84	31	30	430	200
050005	1"	20	60	14	52	110	38	30	430	96
050006	1 1/4"	25	68	15	57	110	48	25	360	80
050007	1 1/2"	32	80	17	72	140	54	25	360	50
050008	2"	40	94	19	79	140	67	25	360	30
050009	2 1/2"	50	115	23	88	170	84	12	170	20
050010	3"	63	134	24	125	240	97	12	170	12
050011	4"	76	152	25	135	240	122	12	170	8

**MATERIALI:**

1. Manicotto: OTTONE CW617N
2. Guarnizione sfera: P.T.F.E.
3. Sfera: OTTONE STAMPATO CW617N
4. Corpo: OTTONE STAMPATO CW617N
5. Guarnizione asta: OR NBR 70
6. Asta comando: OTTONE CW614N
7. Dado: ACCIAIO ZINCATO
8. Maniglia: ACCIAIO VERNICIATO

**MATERIALS:**

1. Coupling: BRASS CW617N
2. Ball seal: P.T.F.E.
3. Ball: HOT PRESSED BRASS CW617N
4. Body: HOT PRESSED BRASS CW617N
5. Stem seal: O-RING NBR 70
6. Stem: BRASS CW614N
7. Nut: ZINC PLATED STEEL
8. Handle: VARNISHED STEEL



art. **51**

VALVOLA A SFERA "PONY",  
PASSAGGIO RIDOTTO, M.F. DA 1/2" A 1"

"PONY" REDUCED BORE BALL VALVE M.F. FROM 1/2" TO 1"



CODE	M	DN	A	B	C	D	CH	PN BAR	PN psi	MASTER pcs
051003	1/2"	12	51.5	11	43	84	25	30	430	250
051004	3/4"	15	54	11	43	84	31	30	430	200
051005	1"	20	65	14	52	110	38	30	430	96

**MATERIALI:**

1. Manicotto: OTTONE CW617N
2. Guarnizione sfera: P.T.F.E.
3. Sfera: OTTONE STAMPATO CW617N
4. Corpo: OTTONE STAMPATO CW617N
5. Guarnizione asta: OR NBR 70
6. Asta comando: OTTONE CW614N
7. Dado: ACCIAIO ZINCATO
8. Maniglia: ACCIAIO VERNICIATO

**MATERIALS:**

1. Coupling: BRASS CW617N
2. Ball seal: P.T.F.E.
3. Ball: HOT PRESSED BRASS CW617N
4. Body: HOT PRESSED BRASS CW617N
5. Stem seal: O-RING NBR 70
6. Stem: BRASS CW614N
7. Nut: ZINC PLATED STEEL
8. Handle: VARNISHED STEEL

